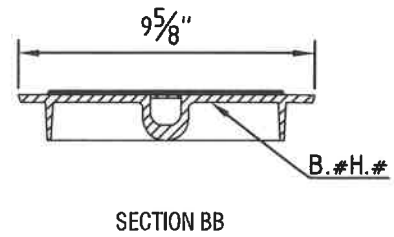
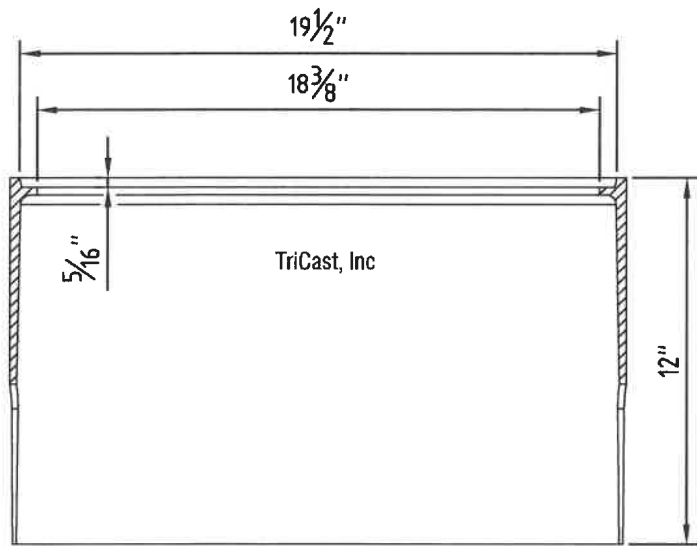


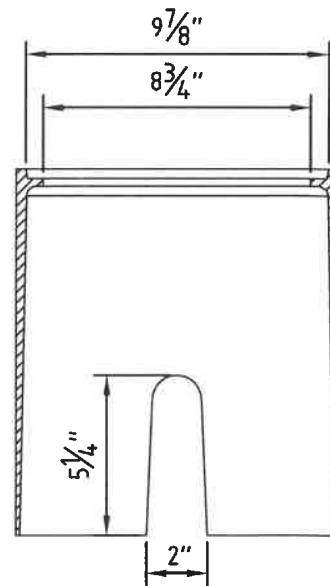
SECTION AA



SECTION BB

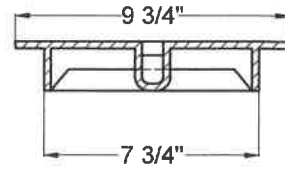
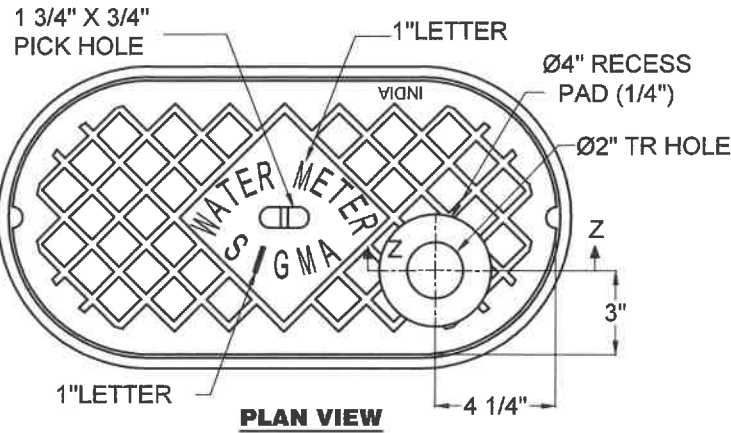


SECTION AA

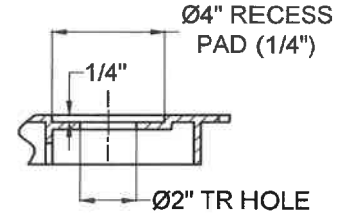


SECTION BB

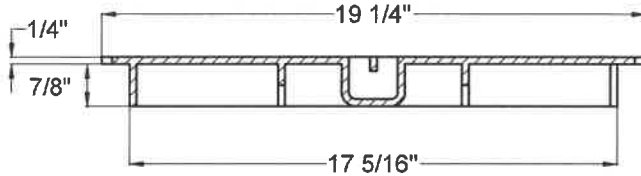
<p>TriCast, Inc P.O. BOX 943 SELMA, NC 27576 PH: (919) 936-2629 FAX: (919) 936-0520 EMAIL: tricast-inc@hotmail.com</p>
<p>ITEM: 12" TALL OVAL METER BOX & LID</p>
<p>PART # MSMBX-1-RH</p>
<p>MATERIAL SPEC: GREY IRON ASTM A48 CLASS 35B</p>
<p>LOAD RATING:</p>



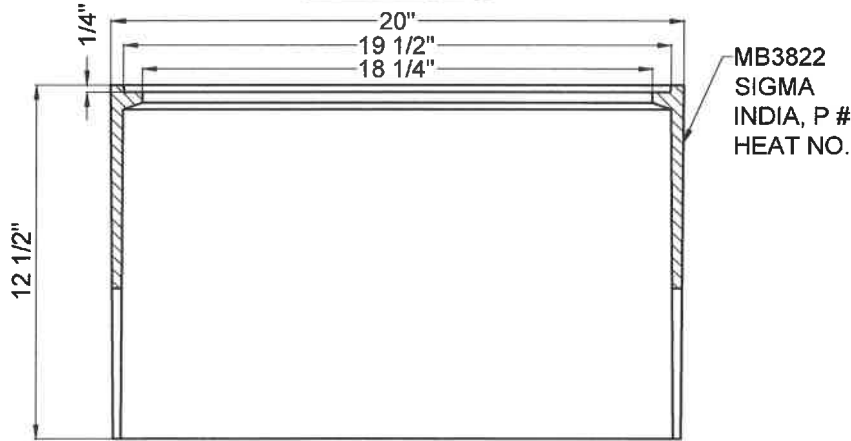
SEC. Y-Y (LID)



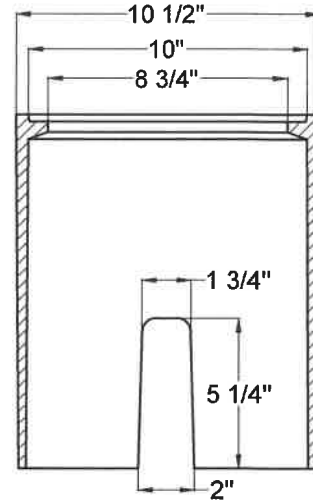
SEC. Z-Z (LID)



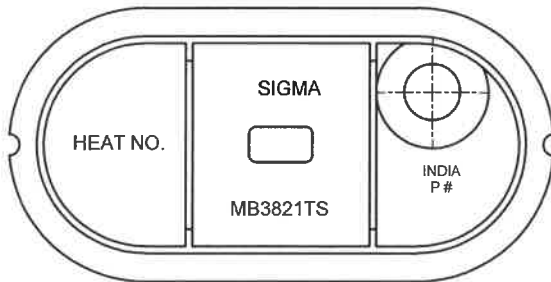
SEC. X-X (LID)



SEC. X-X (BODY)



SEC. Y-Y (BODY)



BOTTOM VIEW (LID)

MB3822
SIGMA
INDIA, P #
HEAT NO.

NOTES:-

- 1. All the dimensions are in inches units.
- 2. Material: Cast Iron ASTM A48 Class 30B.
- 3. Tolerance should be ±0.0625", unless otherwise specified.
- 4. Refer Sigma QIP Doc.No : QA/QIP/MCC for manufacturing and inspection procedure.

BY RECEIVING THIS DRAWING THE RECEIPT AGREES THAT THIS DRAWING AND ITS CONTENTS REMAIN THE SOLE PROPERTY OF SIGMA CORPORATION. THIS DRAWING IS RECEIVED IN CONFIDENCE AND WILL NOT BE REPRODUCED TO SIGMA'S DETRIMENT. THIS DRAWING IS LOANED SUBJECT TO RETURN ON DEMAND.

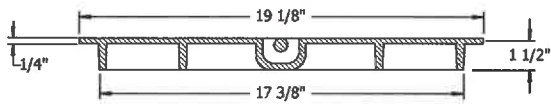
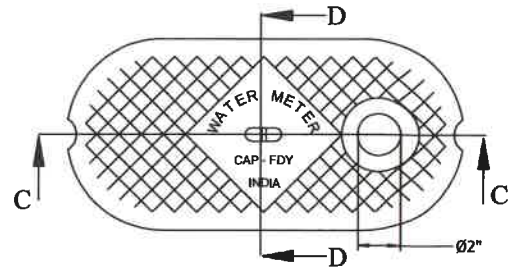
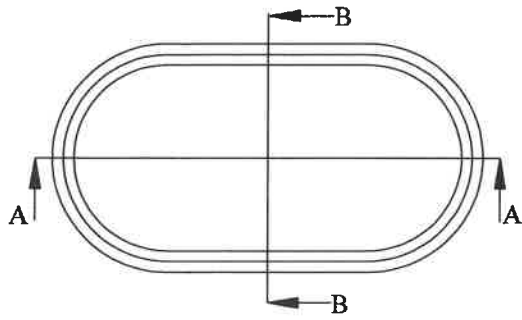


Rev	Date	Revision Record	Prepared	Approved

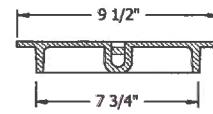
RADIUS: ±.030 MACHINED: .XX±.015

All Radl & Filets to be 0.12" (3) unless otherwise specified
All Draft angles to be 2° unless otherwise specified on drawing
Product Group :-
MCC
Coating:-
BLACK BITUMINOUS / TAR COATED
Product Description:-
12 1/2" METER BOX & LID (MBX-1) WITH 4" RECESS PAD 2" TR HOLE
Drawing Number :-
MB382TS Rev :-
0

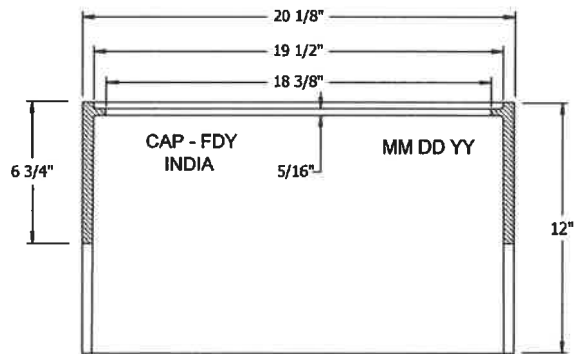
SIGMA
CREAM RIDGE, NEW JERSEY
DATE :
05.23.2018
DRAWING FOR:
SUBMITTAL
SCALE: NTS SHEET NO:
1 OF 1
DRAWN BY: **VK**
CHECKED BY: **B.DUTTA**
APPROVED BY: **ASHIS DEY**
SR1



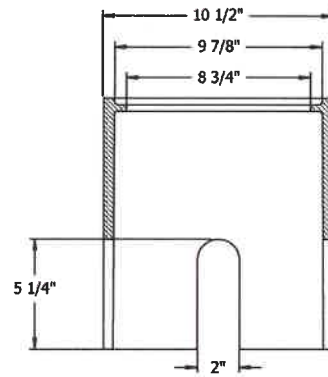
SECTION - CC



SECTION - DD



SECTION - AA



SECTION - BB

CAPITOL FOUNDRY OF VA, INC.

2856 CRUSADER CIRCLE

VIRGINIA BEACH, VA 23453

PHONE: (757) 427-9431; FAX: (757) 427-9308

www.capitolfoundry.net

ITEM#	MBX-1*MOD
DESCRIPTION	12" TALL METER BOX & WATER METER LID w/TR HOLE
MATERIAL	GREY IRON--ASTM A-48, CLASS 35B
LOAD CLASSIFICATION	LIGHT DUTY