

ADVERTISEMENT FOR BIDS

Sealed proposals will be received in the Office of the Procurement Coordinator, Greenville Utilities Commission, 401 S. Greene Street, Greenville, North Carolina 27834 until 2:00 PM (EDST) on August 17, 2017 and immediately thereafter publicly opened and read for the furnishing of an overhead electric construction crew.

Instructions for submitting bids and complete specifications will be available in the Office of the Procurement Coordinator, Greenville Utilities Commission, 401 S. Greene Street, Greenville, North Carolina during regular office hours, which are 8:30AM – 5:00PM Monday through Friday.

Greenville Utilities Commission reserves the right to reject any or all bids. Late bids will not be considered.

SECTION I

GENERAL INSTRUCTIONS FOR FORMAL BIDS

RELATED TO OVERHEAD ELECTRIC CONSTRUCTION SERVICES

1.0 NOTICE TO BIDDERS

Sealed bids, subject to the conditions made a part hereof, will be received in the Office of the Procurement Coordinator, Greenville Utilities Commission, 401 S. Greene Street, Greenville, North Carolina 27834 until 2:00 PM (EDST) on August 17, 2017, the day of opening. Bids submitted in a fax or e-mail in response to this Invitation for Bids **will not be acceptable.**

2.0 STANDARD FORMS REQUIRED

Each bidder must submit a proposal on the enclosed bid forms. **The bid must be signed by an authorized official of the firm. Return only the attached Proposal Form. Do not return the Advertisement for Bids, Instructions to Bidders or Specifications.**

3.0 PREPARATION OF BID

Bids must be in sealed envelopes clearly marked on the outside with the name of the bid and the bid opening date and time. Bid shall be addressed to PROCUREMENT COORDINATOR, GREENVILLE UTILITIES COMMISSION, 401 S. GREENE STREET, GREENVILLE, NORTH CAROLINA 27834.

4.0 TIME FOR OPENING BIDS

Bids will be opened promptly and read at the hour and on the date set forth in the advertisement in the Office of the Procurement Coordinator, Greenville Utilities Main Office, 401 S. Greene Street, Greenville, North Carolina 27834. Bidders or their authorized agents are invited to be present.

5.0 DEPOSIT

A deposit is **NOT** required for this bid.

6.0 NC SALES TAX

Do **not** include NC sales taxes in bid figure; however, Greenville Utilities Commission (GUC) does pay sales tax. Sales tax should be added to the invoice as a separate item.

7.0 FEDERAL EXCISE TAX

GUC is exempt from Federal Excise Tax and will issue a Federal Exemption Certificate upon request to the successful bidder.

8.0 EXCEPTIONS TO BE CLEARLY STATED

If bid is not in strict accordance with Section II, "Specifications," bidder must list or note all exceptions **on the Request for Proposal Form**, otherwise, it is fully understood that the successful bidder will furnish equipment and/or materials exactly as specified. GUC reserves the right to accept or reject bids with noted minor deviations from specifications and to determine the highest responsible, responsive bid from the standpoint of quality, performance, and price.

9.0 EVALUATION AND AWARD OF BIDS

GUC reserves the right to reject any and all bids, to waive any and all informalities, and to disregard all nonconforming or conditional bids or counter proposals. In evaluating bids, GUC shall consider whether the bids comply with the prescribed requirements, plus all alternates or options requested. GUC reserves the right to include or exclude any option or alternative in GUC's opinion is in GUC's best interests. If a bid is to be awarded, it will be awarded to the highest responsible, responsive bidder whose evaluation by GUC indicates that the award will be in GUC's best interests. Only firm prices will be considered for award of this bid.

10.0 PROMPT PAYMENT DISCOUNTS

Bidders are urged to compute all discounts into the price offered. If a prompt payment discount is offered, it may be considered in the award of the contract.

11.0 NUMERICAL ERRORS

In the case of a discrepancy between a unit price and the extension (the unit price multiplied by the number of units), the unit price governs. In the case where numerical bids are stated both in numbers and in words, the words govern.

12.0 BID WITHDRAWAL

A bidder must notify GUC in writing of its request to withdraw a bid within seventy-two (72) hours after the bid opening, not including Saturdays, Sundays, or holidays. In order to justify withdrawal, the bidder must demonstrate that a substantial error exists and that the bid was submitted in good faith.

13.0 MINORITY BUSINESS PARTICIPATION PROGRAM

GUC has adopted an Affirmative Action and Minority and Women Business Enterprise Plan (M/WBE) Program. Firms submitting a proposal are attesting that they also have taken affirmative action to ensure equality of opportunity in all aspects of employment, and to utilize M/WBE suppliers of materials and/or labor.

14.0 DELIVERY TIME

Delivery time is to be stated and will be considered in the evaluation of bids if applicable.

15.0 CONTRACT PERIOD

It is the intent of Greenville Utilities Commission (GUC) to enter into a multi-year contract at the time the contract is awarded by GUC to the successful bidder for a total contract period not to exceed four (4) years. **Prices shall remain fixed during the first year** with option for annual extensions at the same or negotiated unit prices for up to four (4) additional years if market and service conditions so warrant and prove to be in the best interest of GUC.

16.0 CONTACT INFORMATION

Questions regarding this bid request should be directed to Jeff Byrd, Electric Distribution Engineer at (252) 551-1568, byrdwj@guc.com, Cleve Haddock, Procurement Coordinator at (252) 551-1533, haddocgc@guc.com

17.0 TERMS AND CONDITIONS

The attached Terms and Conditions apply to all purchases made by Greenville Utilities Commission (GUC) and must be considered as part of the bid proposal.

[Balance of page left blank intentionally]

SECTION II
GREENVILLE UTILITIES COMMISSION
SPECIFICATIONS FOR
OVERHEAD ELECTRIC CONSTRUCTION CREW
AUGUST 17, 2017

General Description

The intent of these specifications is to describe a crew structure specifically designed to accommodate all types of overhead electric distribution construction activities.

The labor force proposed and the equipment requested shall meet the minimum requirements as set forth in these specifications.

The anticipated scope of this contract is for one (1) year with an anticipated use of crew for approximately twenty-six (26) weeks of labor and equipment on a cost plus basis. The twenty-six (26) weeks anticipated usage is only an estimate of GUC's needs in the next 12 months. Actual usage may be more or less. GUC reserves the right to contract for more or less than the stated 26 weeks at the same firm prices indicated herein. This labor force will assist in the completion of a number of planned improvement projects throughout the year, each project estimated to last from three to eight weeks.

Projects may be assigned intermittently throughout the contract year. Greenville Utilities requests that the Contractor begin any specific project within three weeks from time of notification to begin work on the particular project. Greenville Utilities intends to retain this work force for the contract year for emergency assistance during situations affecting its service area.

Greenville Utilities reserves the right to terminate this contract based on the performance of the crew or the reduction of anticipated workload. If agreeable with both parties, the contract can be renewed for the same time period (1-year) at the same firm unit prices or mutually agreeable prices.

Safety

Job site activities shall at all times be conducted in accordance with all applicable federal, state and local requirements, to include but not limited to, the North Carolina Occupational Safety and Health Standards, the National Electrical Safety Code and the North Carolina Manual on Uniform Traffic Control Devices for Streets and Highways.

Work Week

The workweek will be within Greenville Utilities normal working hours. These hours are 7:00 am to 5:30 pm Monday through Friday excluding holidays, as shown on the attached holiday schedule. No travel time will be awarded the Contractor. Time lost due to inclement weather may be made up during our regular working hours only.

Damage to Facilities

The Contractor shall be responsible for damages to any Utilities or customer-owner facilities caused by its forces.

Housekeeping

Contractor shall at all times keep the site free of accumulations of waste materials or trash caused by his work force. At the completion of work at each job site, Contractor shall remove all tools and surplus materials and leave site in satisfactory condition.

Supervision

The Contractor shall remain in close communication with the Greenville Utilities representative. No work shall commence that has not been directed by the Greenville Utilities representative.

Payment

Invoices will be submitted weekly for work done during the previous week.

Insurance

The Contractor shall submit proof of Comprehensive General Liability Insurance carried in the minimum amount of \$1,000,000. A broad form property damage endorsement must be attached to the policy. Automobile Liability Insurance in the minimum amount of \$1,000,000 must be carried and proof of same submitted to Greenville Utilities with the execution of the contract for the procurement of labor. The Contractor's Certificate of Insurance shall also include Workers' Compensation Insurance.

Description of Labor

The crew structure shall consist of the following line personnel:

Line Crew Leader:	Under general supervision, directs and performs supervisory and skilled work at the journeyman lineman level. Leads and directs the work of a line crew in all phases of overhead electrical line work.
First Class Lineman:	Under general supervision, performs skilled work at the journeyman level in construction and maintenance of electric distribution lines.
Second Class Lineman:	Under direct supervision, performs skilled work at the first class lineman level. Work is restricted to primary voltage at 7200 volts or less without supervision of a first class lineman.
Third Class Lineman:	Under direct supervision, performs semi-skilled work related to electric power line construction. Work is restricted to secondary voltage performed from bucket or pole.
Line Truck Operator:	Operates line truck while setting and removing poles in or around energized lines. Supports activities of upper class lineman on ground.

All personnel shall possess a considerable amount of experience in construction of overhead electrical distribution systems. All personnel shall be able to proficiently operate all equipment assigned to the crew. All personnel shall possess a valid current North Carolina Commercial driver's license.

Description of Equipment

Bucket Truck: Bucket truck shall be less than 10 years old. It shall be an Altec AA750M, Hi-Ranger 5TC55 with two man bucket and material handling package or equivalent. The unit provided shall be in good working order and at a minimum be equipped with the following tools and equipment:

<u>Quantity</u>	<u>Item</u>
6	36" x 36" rubber blankets
16	6" connector type rubber hoses
18	blanket pins
2	canvas utility buckets
2	#1 insulated bolt cutters
6	2/0 cu x 10' mechanical jumpers
10	DOT approved traffic cones
4	DOT approved warning signs
1	fiberglass "shot gun stick"
1	fiberglass finger stick
1	600V volt meter
1	phase rotation meter
1	35 kV phasing stick
1	hydraulic impact drill
2	3/4-ton chain hoist
4	1-ton belt hoist
4	#6-#2 conductor grips

<u>Quantity</u>	<u>Item</u>
4	#2-2/0 conductor grips
4	2/0-4/0 conductor grips
4	4/0-556 conductor grips
4	556-795 conductor grips
2	hand lines
1	extension ladder
1	compression tool "O" "D"
1	compression tool "5/8" "D"
1	compression tool XPJ
1	12A hydraulic dynapress
1	large ampact tool
10	6" distribution stringing blocks
2	sets of standard lineman's tools
1	hydraulic impact wrench

Line Truck: Line truck shall be less than 10 years old. It shall be an Altec D-945, Telect 4045 or equivalent. The unit provided shall be in good working order and at a minimum be equipped with the following tools and equipment:

<u>Quantity</u>	<u>Item</u>
1	20,000 lb. front winch
2	canvas utility buckets
2	#1 insulated bolt cutters
4	2/0 cu mechanical jumpers
10	DOT approved traffic cones
4	DOT approved warning signs
1	fiberglass "shot gun stick"
1	fiberglass finger stick
1	600V volt meter
1	8' digging bar
2	5' shovels
1	10' spoons
1	10" spade
1	hydraulic tamp
1	45 lb. hydraulic hammer/5/8" ground rod adapter
1	anchor attachment
1	set of slack blocks 4"
1	hydraulic impact drill
2	3/4-ton chain hoist
2	1-ton belt hoist
4	#6-#2 conductor grips
4	#2-2/0 conductor grips
4	2/0-4/0 conductor grips
4	4/0-556 conductor grips
4	556-795 conductor grips

<u>Quantity</u>	<u>Item</u>
4	3/8" guy grips "flats"
1	power take-up reel on hydraulic winch
2	hand lines
1	extension ladder
2	cant hooks
1	compression tool "O" "D"
1	compression tool "5/8" "D"
1	compression tool XPJ
10	6" distribution stringing blocks
1	set of standard lineman's tools
10	collar ropes
4	4' slings
1	set of pole claws
1	steel pole sling
1	12,000 lb. GVW pole trailer

Crew Cab: Crew cab provided to enable entire crew to be transported in one vehicle. Unit shall be 1995 model or newer. Truck shall be in good working order and, at a minimum, be equipped with the following tools and equipment:

<u>Quantity</u>	<u>Item</u>
10	DOT approved traffic cones
1	35' telescopic finger stick
1	ratchet & socket set
1	600V volt meter
1	20" chain saw

3,000 lb. hydraulically operated puller/tensioner with 6,000 ft. pulling rope and associated stringing equipment with a minimum of 120 six inch stringing blocks available for wire pulling.

Additional Specialized Equipment

Bucket Truck	100 foot working height	\$/hr
Bucket Truck	70 foot wide track mount	\$/hr
Digger Derrick	30,000 lb 60 ft sheave	\$/hr
Digger Derrick	30,000 lb wide track mount	\$/hr

All specialized equipment shall be available within two weeks of request. Specialized equipment shall be utilized for a minimum of 40 hours per request.

Pole and Primary Assemblies Installation/Removal

Bidders are to include **unit pricing** for the following construction units and are to be included as part of the bid and contract. **Bids will be evaluated based on the lowest cost plus overhead and equipment rates.** Cost plus overhead and equipment rates shall be used for billing purposes unless determined otherwise on specific case by case basis and previously approved by GUC representative.

Poles-Install

All poles to be set at an embedment depth of 10" of pole length plus 2 feet. All wood pole installations shall include pole butt grounding plate and #4 bare copper ground wire from butt grounding plate to neutral position typically 27 feet above ground level, stapled every 12".

Install	P35W	35/5 pole wood	\$ _____
Install	P40W	40/4 pole wood	\$ _____
Install	P45W	45/4 pole wood	\$ _____
Install	P50W	50/3 pole wood	\$ _____
Install	P55W	55/3 pole wood	\$ _____
Install	P60W	60/2 pole wood	\$ _____
Install	P65W	65/2 pole wood	\$ _____
Install	P70S	70-LD-1 steel pole	\$ _____
Install	P75S	75-LD-1 steel pole	\$ _____
Install	P80S	80-LD-2 steel pole	\$ _____
Install	P85S	85-LD-2 steel pole	\$ _____
Install	P90S	90-LD-2 steel pole	\$ _____
Install	P35C	35 ft concrete pole	\$ _____

Install	P25CD	25 ft concrete pole decorative	\$ _____
Install	P25AD	25 ft aluminum pole decorative	\$ _____
Install	P25AF	25 ft aluminum pole decorative 4 bolt flange	\$ _____
Install	FA6X6	Foundation anchor 6" X 6' screw in type	\$ _____

Poles-remove

All pole items shall be removed and returned to central warehouse located at 801 Mumford Rd. Greenville, NC.

Remove	P35W	35/5 pole wood	\$ _____
Remove	P40W	40/4 pole wood	\$ _____
Remove	P45W	45/4 pole wood	\$ _____
Remove	P50W	50/3 pole wood	\$ _____
Remove	P55W	55/3 pole wood	\$ _____
Remove	P60W	60/2 pole wood	\$ _____
Remove	P65W	65/2 pole wood	\$ _____
Remove	P70S	70-LD-1 steel pole	\$ _____
Remove	P75S	75-LD-1 steel pole	\$ _____
Remove	P80S	80-LD-2 steel pole	\$ _____
Remove	P85S	85-LD-2 steel pole	\$ _____
Remove	P90S	90-LD-2 steel pole	\$ _____
Remove	P35C	35 ft concrete pole	\$ _____
Remove	P25CD	25 ft concrete pole decorative	\$ _____
Remove	P25AD	25 ft aluminum pole decorative	\$ _____
Remove	P25AF	25 ft aluminum pole decorative 4 bolt flange	\$ _____
Remove	FA6X6	Foundation anchor 6" X 6' screw in type	\$ _____

Primary Assemblies Install

Install	A-1	Single phase straight line tangent	\$ _____
Install	A-2	Single phase light angle double pin	\$ _____
Install	A-3	Single phase vertical suspension	\$ _____
Install	A-4	Single phase double dead-end	\$ _____
Install	A-5	Single phase dead end	\$ _____
Install	B-1	Two phase straight line tangent	\$ _____
Install	B-2	Two phase light angle double pin	\$ _____
Install	B-3	Two phase vertical suspension	\$ _____
Install	B-4	Two phase vertical double dead-end	\$ _____
Install	B-5	Two phase dead-end	\$ _____
Install	B-7	Two phase dead end on arm	\$ _____
Install	C-1HEC	Three phase straight line tangent narrow profile	\$ _____
Install	C1-1EC	Three phase straight line tangent fiberglass arm	\$ _____
Install	C2H-1VEC	Three phase straight line tangent "Z" on insulator Bracket	\$ _____
Install	C2H-1VEC	Three phase straight line tangent "Z" horizontal post insulator	\$ _____
Install	C2HEC	Three phase light angle narrow profile double pin	\$ _____
Install	C2-1EC	Three phase light angle fiberglass double arm double pin	\$ _____
Install	C-3	Three phase vertical suspension	\$ _____
Install	C-4	Three phase vertical double dead-end	\$ _____
Install	C-5	Three phase dead-end	\$ _____

Install	C7EC	Three phase dead end on arm	\$ _____
Install	M54EC	Stand-off insulator	\$ _____
Install	M56EC	Lightning Arrester	\$ _____
Install	M315HEC	Gang Operated Switch Horizontal	\$ _____
Install	M315PEC	Gang operated switch phase over phase	\$ _____
Install	M315VEC	Gang operated switch vertical	\$ _____
Install	M315DEC	Gang operated switch delta	\$ _____
Install	M2-1EC	Ground Rod 20 foot driven 5/8" x 12' and 5/8" x8'	\$ _____
Install	M2-12EC	Pole Ground	\$ _____
Install	M59EC	200 amp fused disconnect	\$ _____
Install	M3-4IL	600 amp in-line switch	\$ _____
Install	M3-4LD	600 amp line-drop switch	\$ _____
Install	E1-1EC	Down guy	\$ _____
Install	E1-1FEC	Down guy w/Fiberglass Stick	\$ _____
Install	E1-1SWEC	Down guy-Fiberglass Sidewalk	\$ _____
Install	E2-2EC	Span guy	\$ _____
Install	E2-2FEC	Span guy w/Fiberglass stick	\$ _____
Install	E3-10EC	Plastic guy Guard	\$ _____
Install	F2-XEC	10" Screw Anchor	\$ _____
Install	F2-EXEC	Anchor Extension	\$ _____
Install	G105	CSP Transformer single phase	\$ _____
Install	G109	Conventional Transformer single phase	\$ _____
Install	G210	Conventional open delta bank	\$ _____
Install	G312	Conventional wye bank	\$ _____
Install	LT-O	Open light fixture on 4 ft arm	\$ _____
Install	LT-C	Cobra Head fixture on 8 ft arm	\$ _____
Install	LT-D	Decorative fixture on tennon	\$ _____
Install	C-1/0	1/0. ACSR conductor	\$ _____
Install	C-336	336 mcm ACSR conductor	\$ _____
Install	C-795	795 mcm AAC conductor	\$ _____
Install	CTPX-6	# 6 triplex	\$ _____
Install	CTPX-2	# 2 triplex	\$ _____
Install	CTPX-1	1/0 triplex	\$ _____
Install	CTPX-4	4/0 triplex	\$ _____

Primary Assemblies Remove

Remove	A-1	Single phase straight line tangent	\$ _____
Remove	A-2	Single phase light angle double pin	\$ _____
Remove	A-3	Single phase vertical suspension	\$ _____
Remove	A-4	Single phase double dead-end	\$ _____
Remove	A-5	Single phase dead end	\$ _____
Remove	B-1	Two phase straight line tangent	\$ _____
Remove	B-2	Two phase light angle double pin	\$ _____
Remove	B-3	Two phase vertical suspension	\$ _____
Remove	B-4	Two phase vertical double dead-end	\$ _____
Remove	B-5	Two phase dead-end	\$ _____
Remove	B-7	Two phase dead end on arm	\$ _____
Remove	C-1HEC	Three phase straight line tangent narrow Profile	\$ _____
Remove	C1-1EC	Three phase straight line tangent fiberglass Arm	\$ _____

Remove	C2H-1VEC	Three phase straight line tangent "Z" on insulator bracket	\$ _____
Remove	C2H-1VEC	Three phase straight line tangent "Z" horizontal post insulator	\$ _____
Remove	C2HEC	Three phase light angle narrow profile double pin	\$ _____
Remove	C2-1EC	Three phase light angle fiberglass double arm double pin	\$ _____
Remove	C-3	Three phase vertical suspension	\$ _____
Remove	C-4	Three phase vertical dead-end	\$ _____
Remove	C-5	Three phase dead-end	\$ _____
Remove	C7EC	Three phase dead end on arm	\$ _____
Remove	M54EC	Stand-off insulator	\$ _____
Remove	M56EC	Lightning Arrester	\$ _____
Remove	M315HEC	Gang Operated Switch Horizontal	\$ _____
Remove	M315PEC	Gang operated switch phase over phase	\$ _____
Remove	M315VEC	Gang operated switch vertical	\$ _____
Remove	M315DEC	Gang operated switch delta	\$ _____
Remove	M21EC	Ground Rod 20 foot driven 5/8" x 12' and 5/8" x 8'	\$ _____
Remove	M59EC	200 amp fused disconnect	\$ _____
Remove	M3-4NP	600 amp in-line switch	\$ _____
Remove	M3-4LD	600 amp line drop switch	\$ _____
Remove	E1-1EC	Down guy	\$ _____
Remove	E1-1FEC	Down guy w/Fiberglass Stick	\$ _____
Remove	E1-1SWEC	Down guy-Fiberglass Sidewalk	\$ _____
Remove	E2-2EC	Span guy	\$ _____
Remove	E2-2FEC	Span guy w/Fiberglass stick	\$ _____
Remove	E3-10EC	Plastic guy Guard	\$ _____
Remove	F2-XEC	10" Screw Anchor	\$ _____
Remove	F2-EXEC	Anchor Extension	\$ _____
Remove	G105	CSP Transformer single phase	\$ _____
Remove	G109	Conventional Transformer single phase	\$ _____
Remove	G210	Conventional open delta bank	\$ _____
Remove	G310	Conventional wye bank	\$ _____
Remove	LT-O	Open light fixture on 4 ft arm	\$ _____
Remove	LT-C	Cobra Head fixture on 8 ft arm	\$ _____
Remove	LT-D	Decorative fixture on tennon	\$ _____
Remove	C-1/0	1/0. ACSR conductor	\$ _____
Remove	C-336	336 mcm ACSR conductor	\$ _____
Remove	C-795	795 mcm AAC conductor	\$ _____
Remove	CTPX-6	# 6 triplex	\$ _____
Remove	CTPX-2	# 2 triplex	\$ _____
Remove	CTPX-1	1/0 triplex	\$ _____
Remove	CTPX-4	4/0 triplex	\$ _____

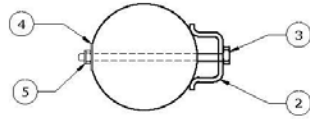
Award of Bids

Bids will be awarded to the lowest responsible, responsive bidder for the following crews and equipment:

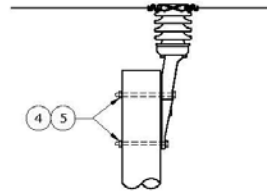
<u>Hours</u>	<u>Item</u>
1040	Crew Leader
1040	First Class Lineman
1040	Second Class Lineman
1040	Third Class Lineman
1040	Line Truck Operator

<u>Hours</u>	<u>Item</u>
1040	Line Truck
1040	Bucket Truck
1040	Crew Cab
40	Puller/Tensioner

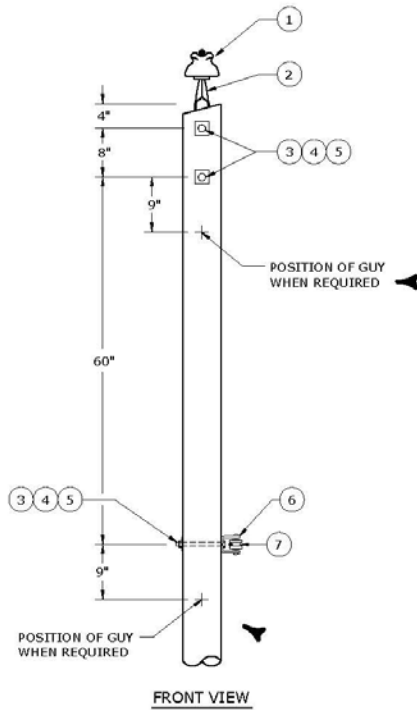
[Balance of page left blank intentionally]



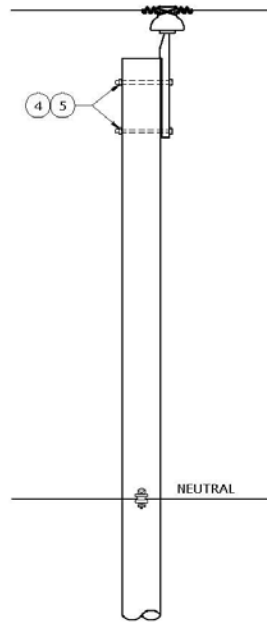
POLE TOP PIN ASSEMBLY



ALTERNATE



FRONT VIEW



SIDE VIEW

NO.	INVENTORY NO.	QUANTITY	DESCRIPTION
1	-	1	INSULATOR, PIN TYPE
2	-	1	POLE TOP PIN, 20"
3	-	3	BOLT, MACHINE, 5/8" x REQUIRED LENGTH
4	-	3	WASHER, SQUARE, 2-1/4" X 2-1/4" WITH 11/16" HOLE
5	-	3	WASHER, LOCK, 5/8"
6	-	1	BRACKET, RIGID CLEVIS
7	-	1	INSULATOR, SPOOL

NOTES:

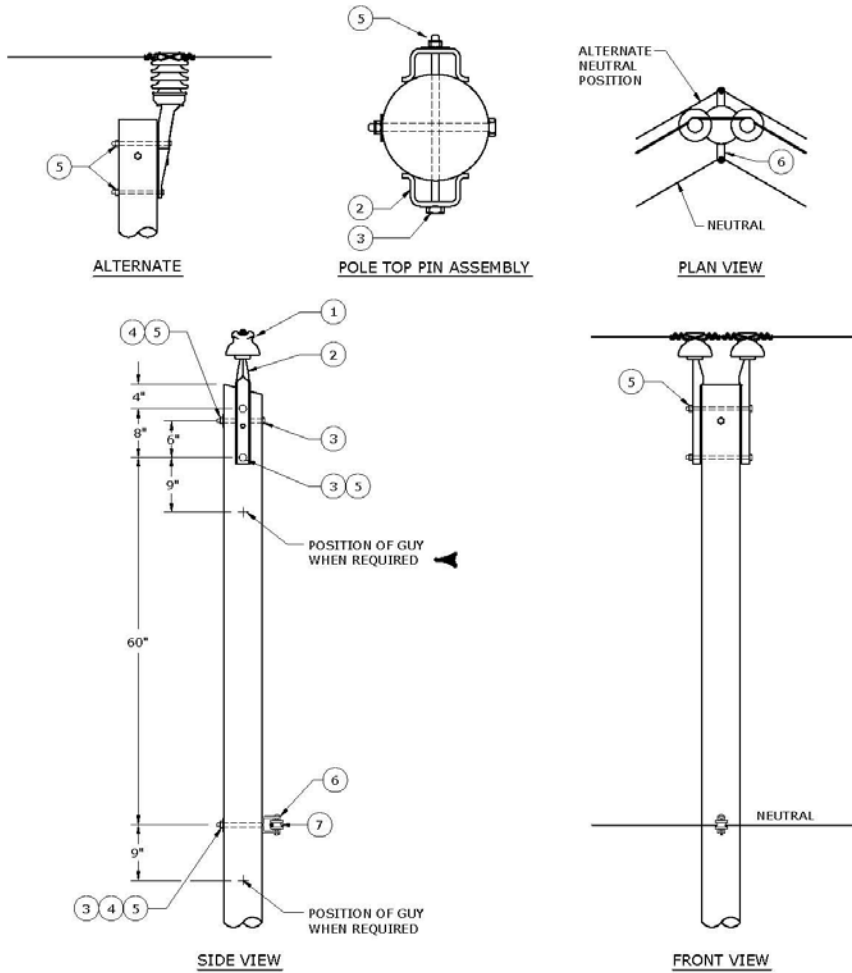
1. GROUNDS ARE TO STOP AT THE NEUTRAL POSITION EXCEPT TO RISE TO A LIGHTNING ARRESTER OR TRANSFORMER.
2. ALL GUYS MUST CONTAIN A GUY STRAIN INSULATOR SUFFICIENT TO PROVIDE TWO FEET OF AIR CLEARANCE.

3			
2			
1	3/27/08	CADD GRANT/DCS	OTT
0	1/27/05	CADD GRANT/DCS	OTT
REVISED	BY	APPR.	

PRIMARY, SINGLE-PHASE
SINGLE SUPPORT, 15KV

ELECTRICITIES
OF NORTH CAROLINA, INC.

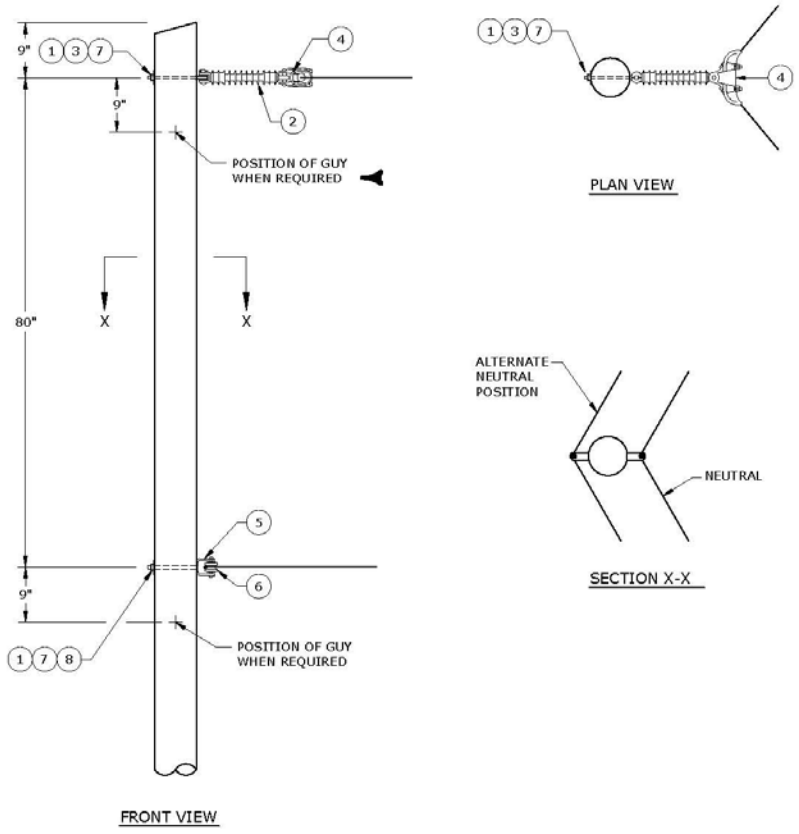
SCALE: 1/2"=1'-0"
DWG. A1EC



NO.	INVENTORY NO.	QUANTITY	DESCRIPTION
1	-	2	INSULATOR, PIN TYPE
2	-	2	POLE TOP PIN, 20"
3	-	4	BOLT, MACHINE, 5/8" X REQUIRED LENGTH
4	-	3	WASHER, SQUARE, 2-1/4" X 2-1/4" WITH 11/16" HOLE
5	-	4	WASHER, LOCK, 5/8"
6	-	1	BRACKET, RIGID CLEVIS
7	-	1	INSULATOR, SPOOL

- NOTES:**
1. GROUNDS ARE TO STOP AT THE NEUTRAL POSITION EXCEPT TO RISE TO A LIGHTNING ARRESTER OR TRANSFORMER.
 2. ALL GUYS MUST CONTAIN A GUY STRAIN INSULATOR SUFFICIENT TO PROVIDE TWO FEET OF AIR CLEARANCE.

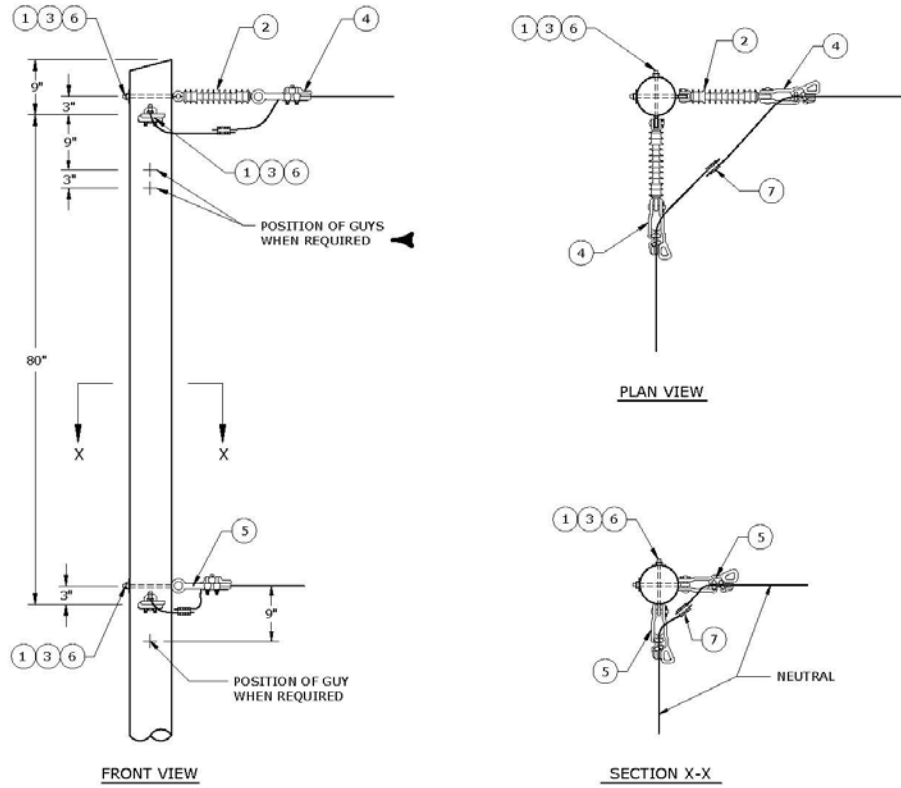
3				PRIMARY, SINGLE-PHASE DOUBLE SUPPORT, 15KV			
2						SCALE	DWG.
1	3/27/08	GADD (SRAP/HIS)	CJT			1/2"=1'-0"	A2EC
0	1/27/05	GADD (SRAP/HIS)	CJT				
REVISED	BY	APPR.					



NO.	INVENTORY NO.	QUANTITY	DESCRIPTION
1	-	2	WASHER, SQUARE, 2-1/4" X 2-1/4" WITH 11/16" HOLE
2	-	1	POLYMER DEADEND, 15KV
3	-	1	BOLT, OVAL EYE, 5/8" X REQUIRED LENGTH
4	-	1	ANGLE ASSEMBLY, PRIMARY
5	-	1	BRACKET, RIGID CLEVIS
6	-	1	INSULATOR, SPOOL
7	-	2	WASHER, LOCK, 5/8"
8	-	1	MACHINE BOLT, 5/8" X REQUIRED LENGTH

- NOTES:
1. GROUNDS ARE TO STOP AT THE NEUTRAL POSITION EXCEPT TO RISE TO A LIGHTNING ARRESTER OR TRANSFORMER.
 2. ALL GUYS MUST CONTAIN A GUY STRAIN INSULATOR SUFFICIENT TO PROVIDE TWO FEET OF AIR CLEARANCE.

3				PRIMARY, SINGLE-PHASE SUSPENSION STRUCTURE, 15KV		SCALE	DWG.
2						1/2" = 1'-0"	A3EC
1	1/2/08	GADG/GRAPHICS	GET				
0	1/2/08	GADG/GRAPHICS	GET				
REVISED	BY	APPR.					



NO.	INVENTORY NO.	QUANTITY	DESCRIPTION
1	-	4	WASHER, SQUARE, 2-1/4" X 2-1/4" WITH 11/16" HOLE
2	-	2	POLYMER DEADEND, 15KV
3	-	4	BOLT, OVAL EYE, 5/8" X REQUIRED LENGTH
4	-	2	DEADEND ASSEMBLY, PRIMARY
5	-	2	DEADEND ASSEMBLY, NEUTRAL
6	-	4	WASHER, LOCK, 5/8"
7	-	X	CONNECTORS, AS REQ'D

NOTES:

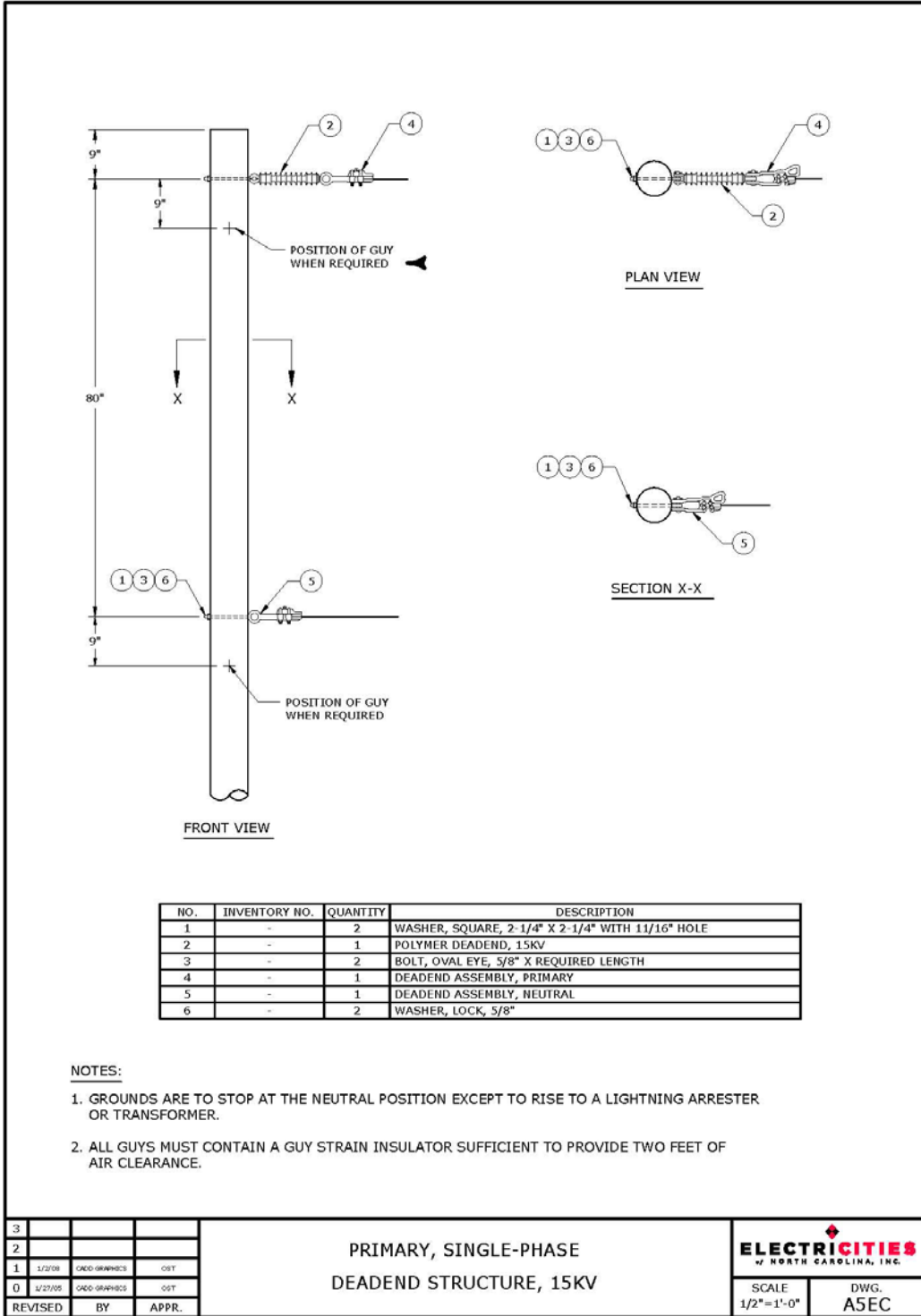
1. GROUNDS ARE TO STOP AT THE NEUTRAL POSITION EXCEPT TO RISE TO A LIGHTNING ARRESTER OR TRANSFORMER.
2. ALL GUYS MUST CONTAIN A GUY STRAIN INSULATOR SUFFICIENT TO PROVIDE TWO FEET OF AIR CLEARANCE.

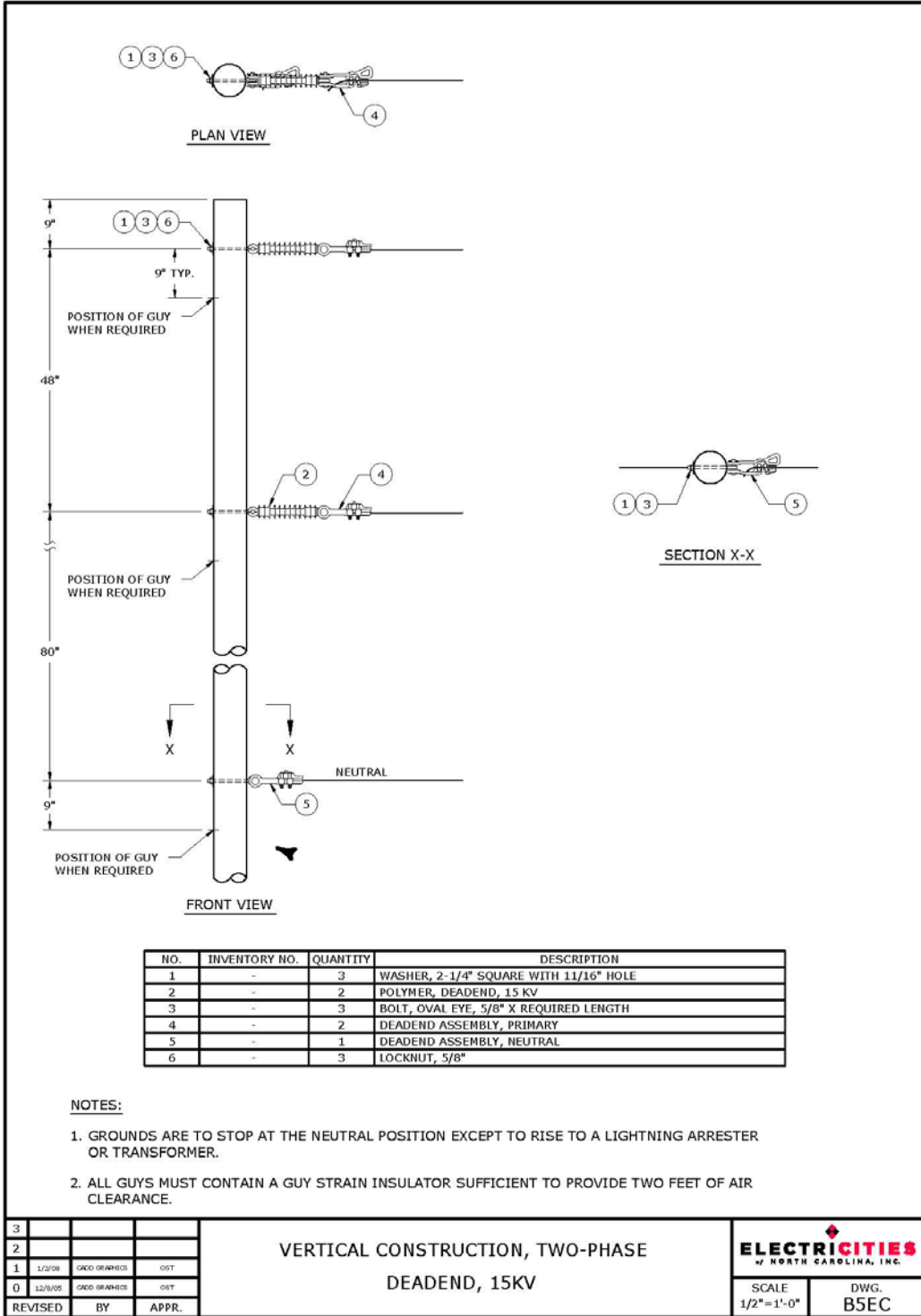
3			
2			
1	1/27/08	CRD/GRAPHICS	OST
0	1/27/08	CRD/GRAPHICS	OST
REVISED	BY	APPR.	

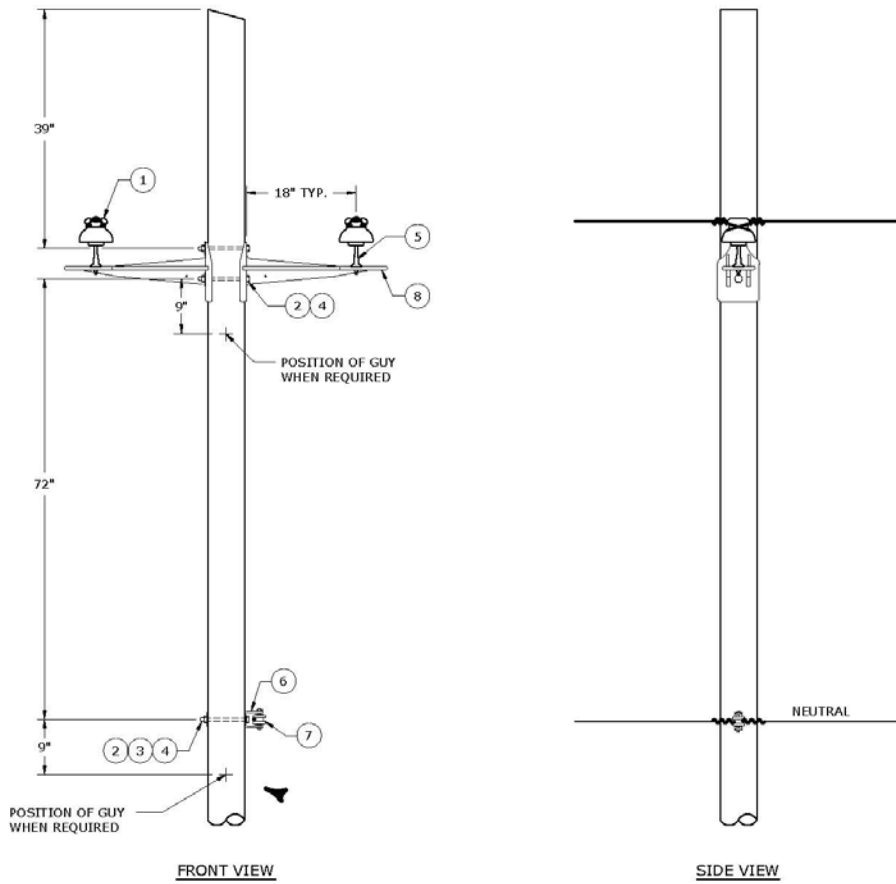
PRIMARY, SINGLE PHASE
CORNER STRUCTURE, 15KV

ELECTRICITIES
OF NORTH CAROLINA, INC.

SCALE: 1/2" = 1'-0"
DWG. A4EC







NO.	INVENTORY NO.	QUANTITY	DESCRIPTION
1	-	2	INSULATOR, PIN TYPE
2	-	3	BOLT, MACHINE, 5/8" X REQ'D LENGTH
3	-	1	WASHER, 2-1/4" SQUARE WITH 11/16" HOLE
4	-	3	WASHER, LOCK, 5/8"
5	-	2	PIN, BRACKET, STEEL
6	-	1	BRACKET, RIGID CLEVIS
7	-	1	INSULATED SPOOL
8	-	2	BRACKET, STEEL, 18"

NOTES:

1. GROUNDS ARE TO STOP AT NEUTRAL POSITION EXCEPT TO RISE TO A LIGHTNING ARRESTER OR TRANSFORMER.
2. ALL GUYS MUST CONTAIN A GUY STRAIN INSULATOR SUFFICIENT TO PROVIDE TWO FEET OF AIR CLEARANCE.

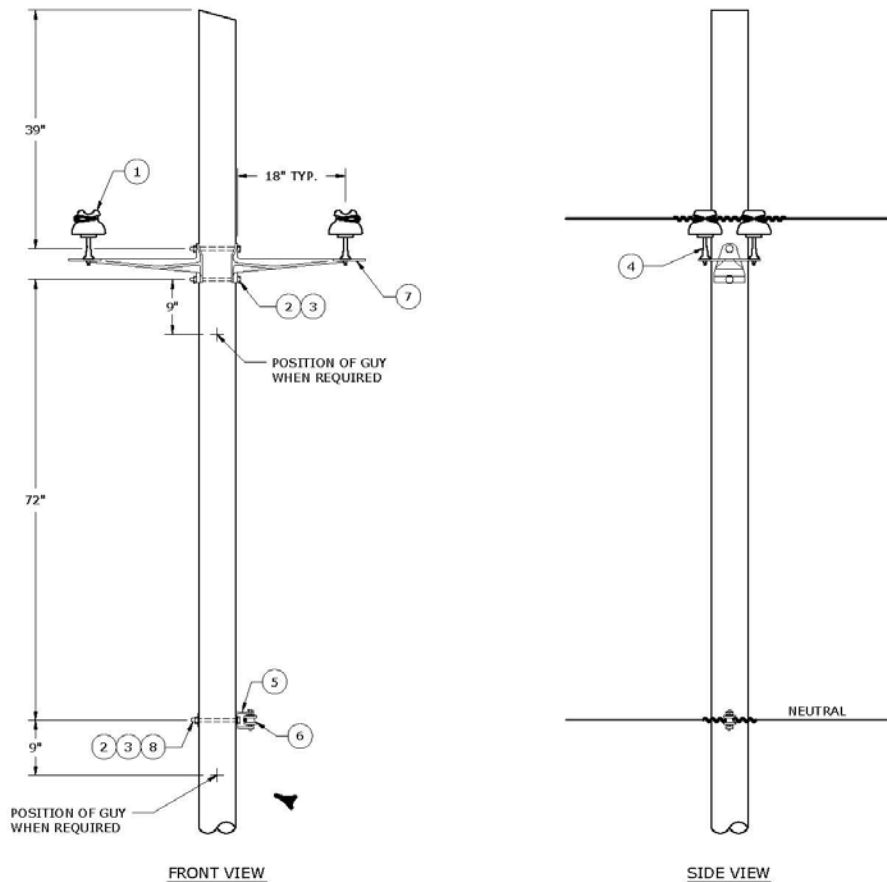
3			
2			
1	1/2/08	CADD GRAPHICS	DET.
0	11/10/05	CADD GRAPHICS	DET.
REVISED	BY	APPR.	

NARROW PROFILE CONSTRUCTION
BRACKET TYPE, TWO-PHASE, 15KV



SCALE
1/2"=1'-0"

DWG.
B1HEC



NO.	INVENTORY NO.	QUANTITY	DESCRIPTION
1	-	4	INSULATOR, PIN TYPE
2	-	3	BOLT, MACHINE, 5/8" X REQ'D LENGTH
3	-	3	WASHER, LOCK, 5/8"
4	-	4	PIN, BRACKET, STEEL
5	-	1	BRACKET, RIGID CLEVIS
6	-	1	INSULATED SPOOL
7	-	2	BRACKET, STEEL, 18"
8	-	1	WASHER, 2-1/4" SQUARE WITH 11/16" HOLE

NOTES:

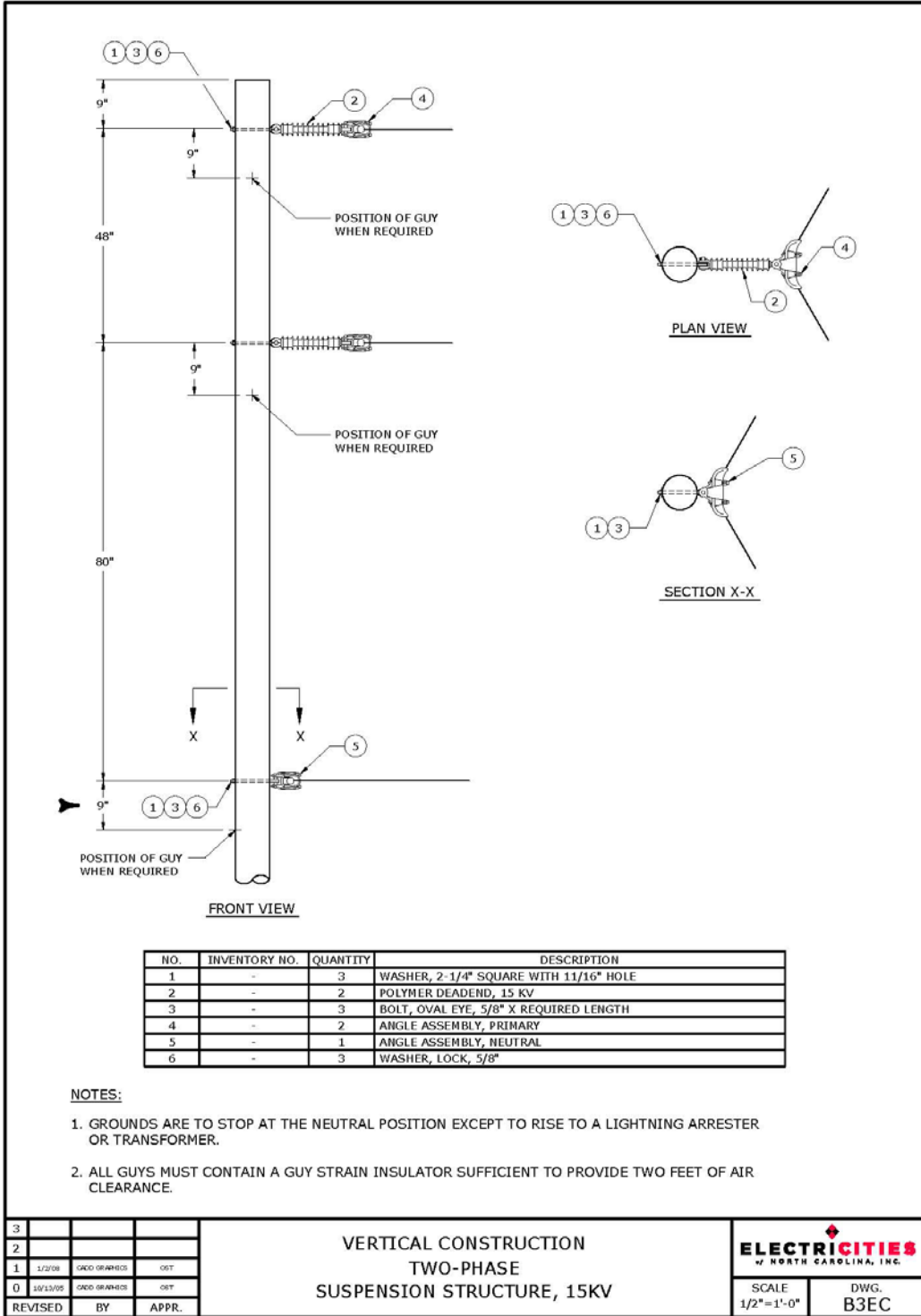
1. GROUNDS ARE TO STOP AT NEUTRAL POSITION EXCEPT TO RISE TO A LIGHTNING ARRESTER OR TRANSFORMER.
2. ALL GUYS MUST CONTAIN A GUY STRAIN INSULATOR SUFFICIENT TO PROVIDE TWO FEET OF AIR CLEARANCE.

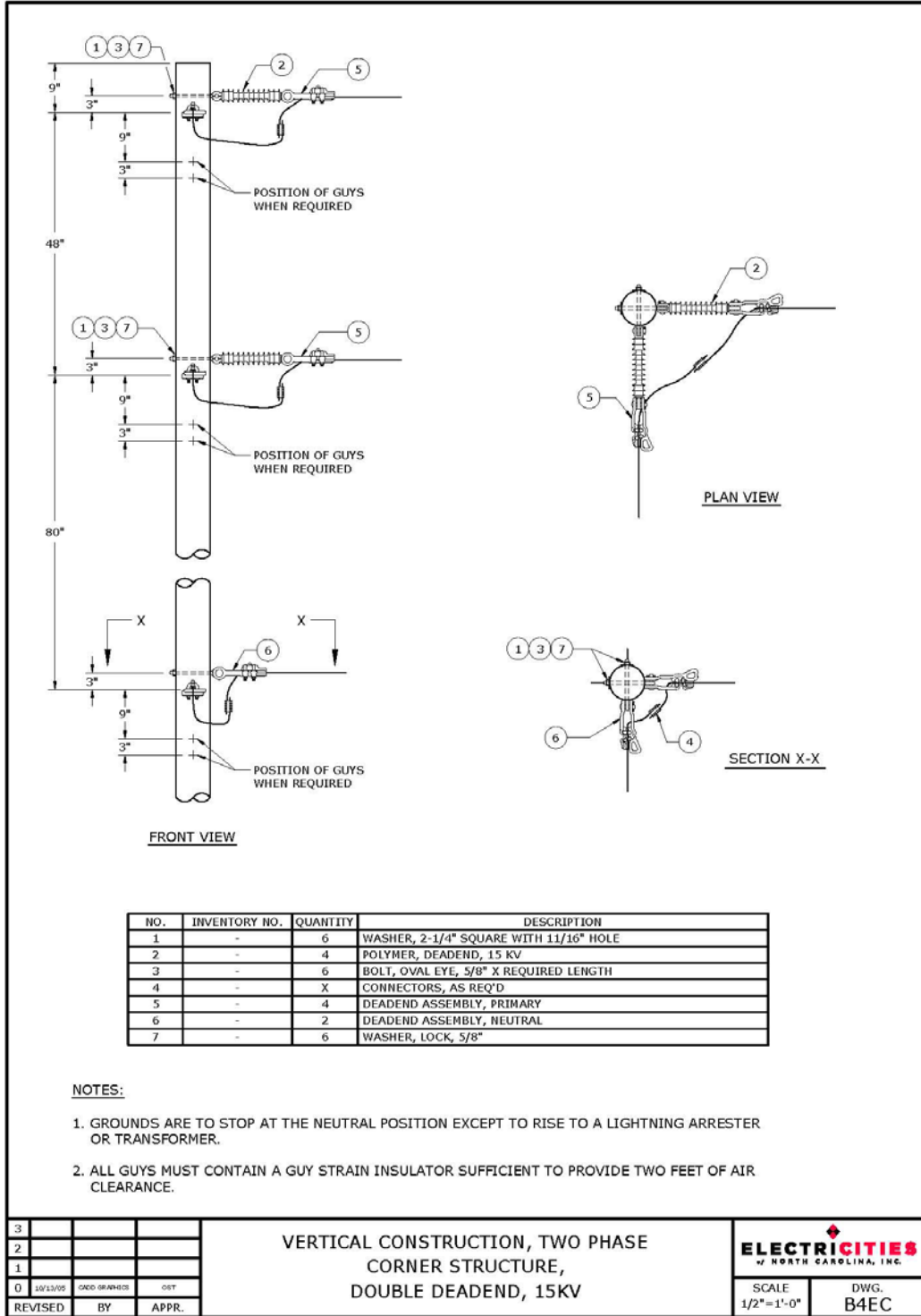
3			
2			
1	11/2/07	CADD GRAPHICS	DET.
0	11/10/05	CADD GRAPHICS	DET.
REVISED	BY	APPR.	

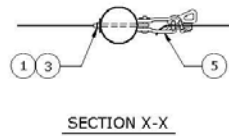
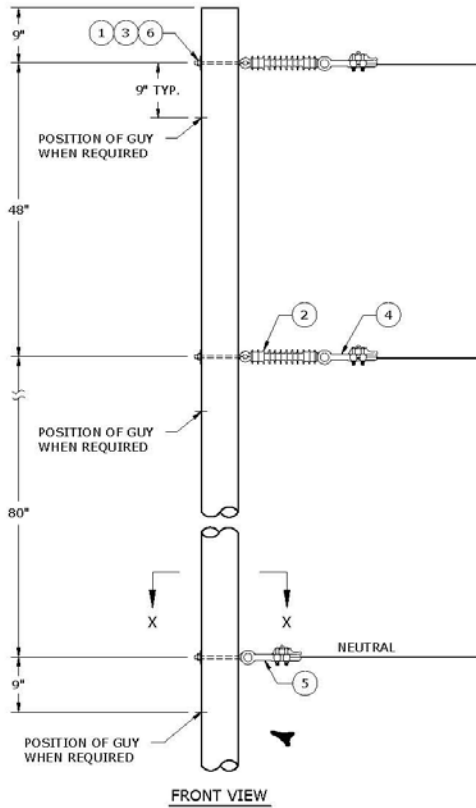
**NARROW PROFILE CONSTRUCTION
BRACKET TYPE, TWO-PHASE
DOUBLE PIN, 15KV**

ELECTRICITIES
of NORTH CAROLINA, INC.

SCALE 1/2"=1'-0"	DWG. B2HEC
---------------------	---------------







NO.	INVENTORY NO.	QUANTITY	DESCRIPTION
1	-	3	WASHER, 2-1/4" SQUARE WITH 11/16" HOLE
2	-	2	POLYMER, DEADEND, 15 KV
3	-	3	BOLT, OVAL EYE, 5/8" X REQUIRED LENGTH
4	-	2	DEADEND ASSEMBLY, PRIMARY
5	-	1	DEADEND ASSEMBLY, NEUTRAL
6	-	3	LOCKNUT, 5/8"

NOTES:

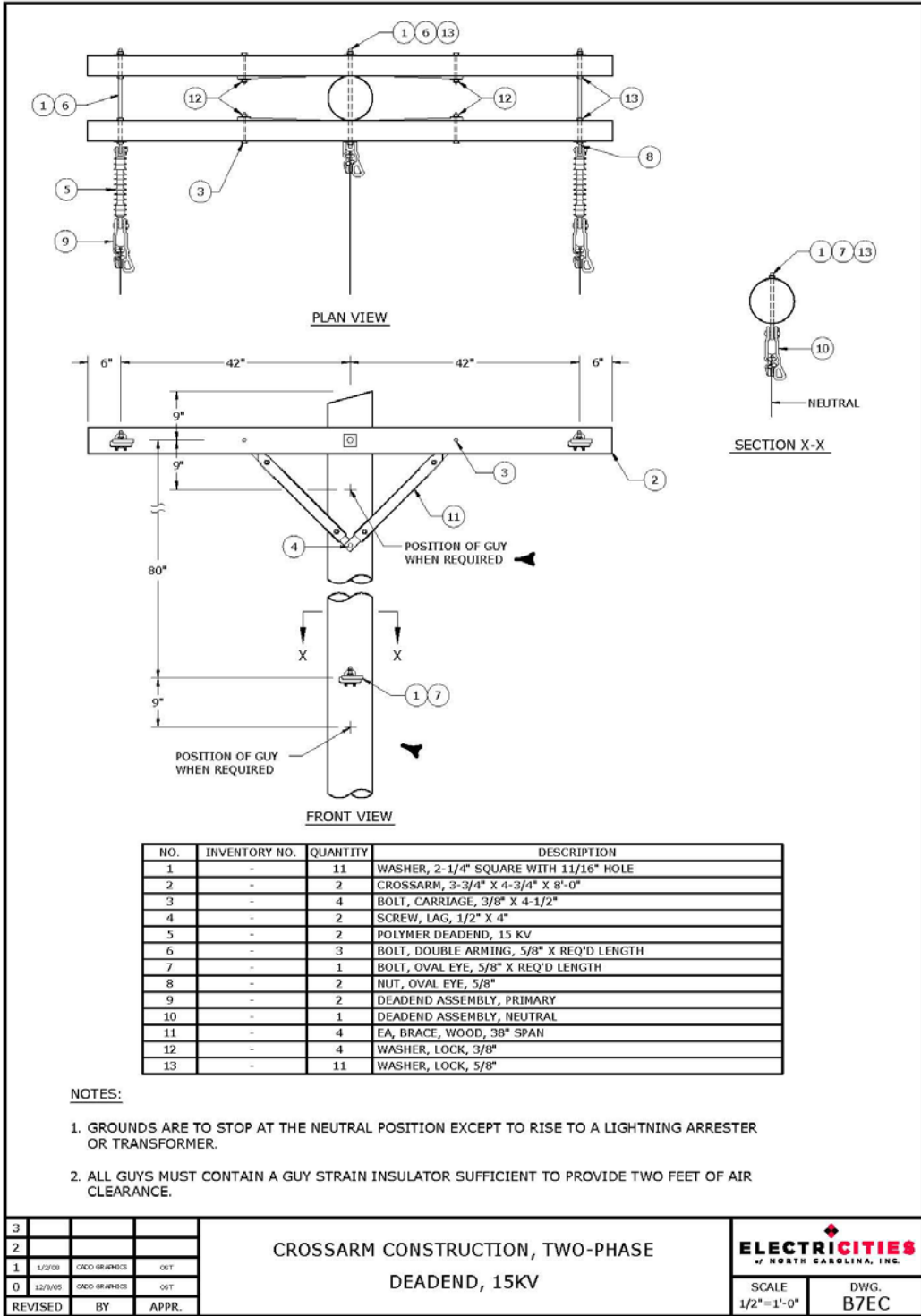
1. GROUNDS ARE TO STOP AT THE NEUTRAL POSITION EXCEPT TO RISE TO A LIGHTNING ARRESTER OR TRANSFORMER.
2. ALL GUYS MUST CONTAIN A GUY STRAIN INSULATOR SUFFICIENT TO PROVIDE TWO FEET OF AIR CLEARANCE.

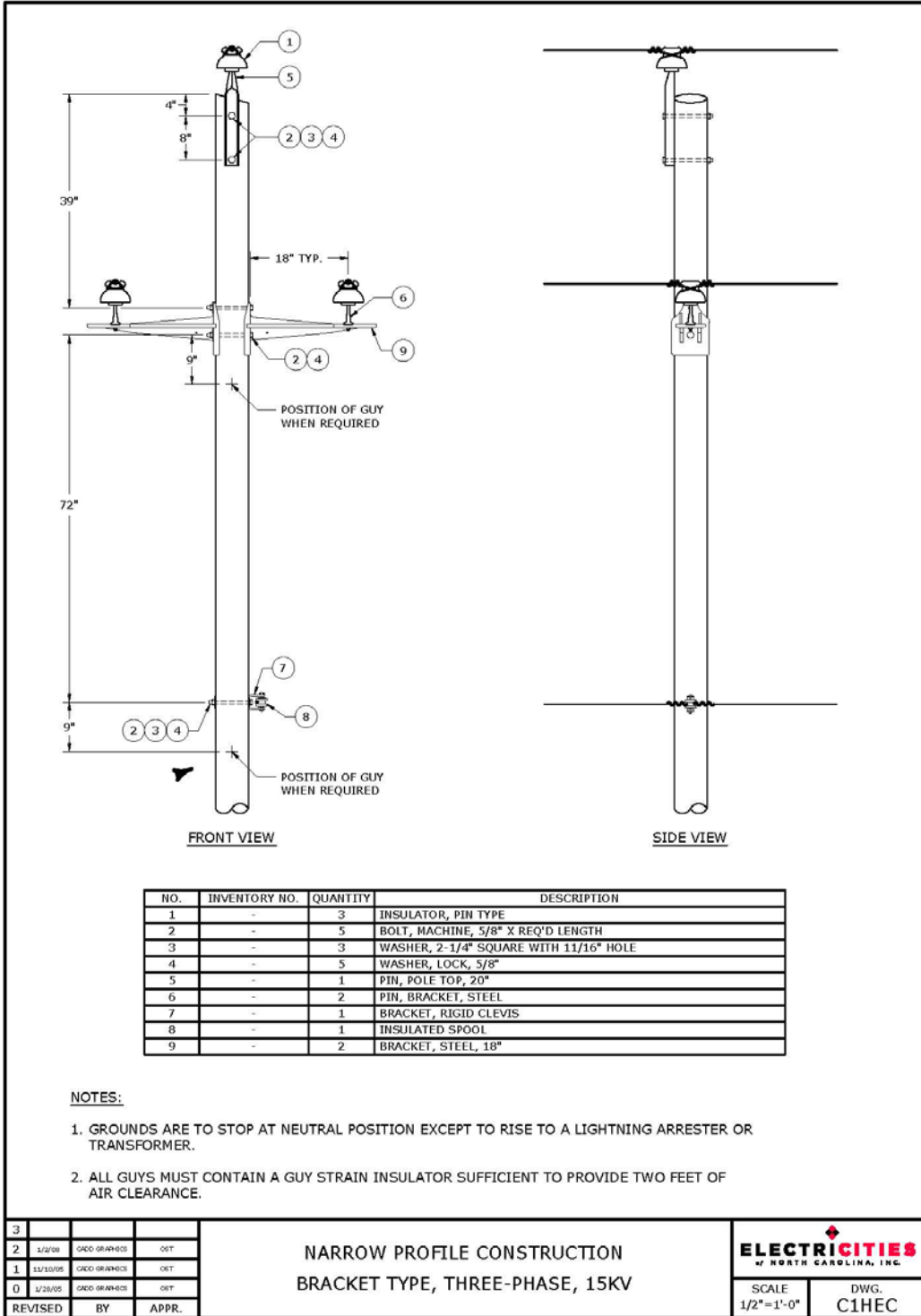
3			
2			
1	1/2/08	OMC/GR/PH/03	OST
0	12/3/05	OMC/GR/PH/03	OST
REVISED	BY	APPR.	

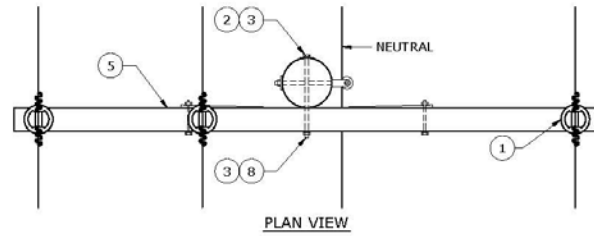
VERTICAL CONSTRUCTION, TWO-PHASE
DEADEND, 15KV

ELECTRICITIES
OF NORTH CAROLINA, INC.

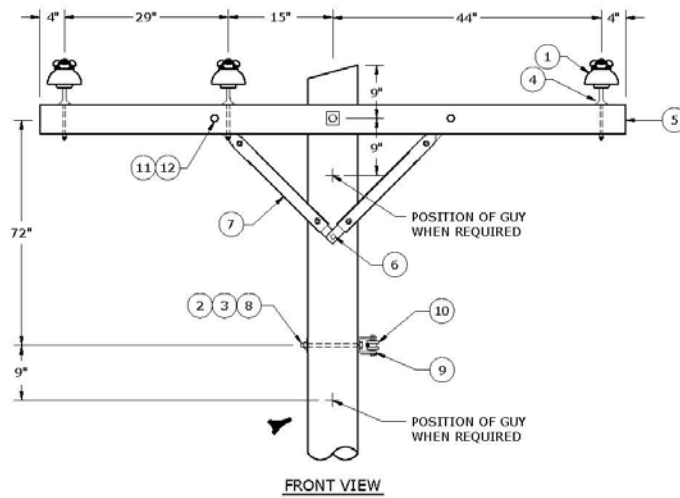
SCALE: 1/2"=1'-0"
DWG. B5EC







PLAN VIEW



FRONT VIEW

NO.	INVENTORY NO.	QUANTITY	DESCRIPTION
1	-	3	INSULATOR, PIN TYPE
2	-	1	BOLT, MACHINE, 5/8" X REQ'D LENGTH
3	-	3	WASHER, 2-1/4" SQUARE WITH 11/16" HOLE
4	-	3	PIN, CROSSARM, STEEL
5	-	1	CROSSARM, 3-3/4" X 4-3/4" X 8'-0"
6	-	1	SCREW, LAG, 1/2" X 4"
7	-	2	EA, BRACE, WOOD, 38" SPAN
8	-	2	WASHER, LOCK, 5/8"
9	-	1	BRACKET, RIGID CLEVIS
10	-	1	INSULATED SPOOL
11	-	2	BOLT, CARRIAGE, 3/8" X 4-1/2"
12	-	2	WASHER, LOCK, 3/8"

NOTES:

1. GROUNDS ARE TO STOP AT THE NEUTRAL POSITION EXCEPT TO RISE TO A LIGHTNING ARRESTER OR TRANSFORMER.
2. ALL GUYS MUST CONTAIN A GUY STRAIN INSULATOR SUFFICIENT TO PROVIDE TWO FEET OF AIR CLEARANCE.

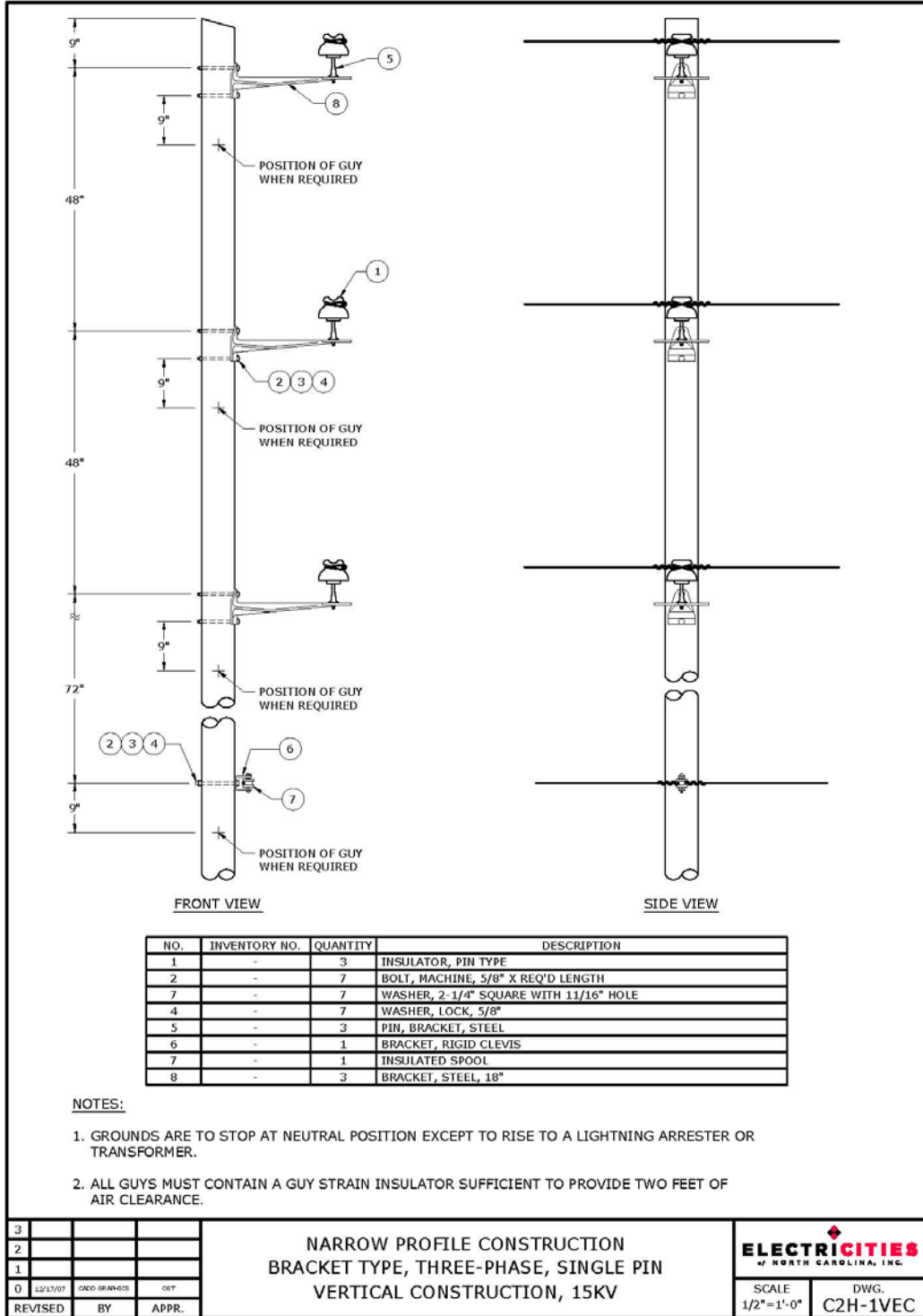
3			
2			
1	12/14/07	CRD:GRAN/CS	DET
0	1/26/05	CRD:GRAN/CS	DET
REVISED	BY	APPR.	

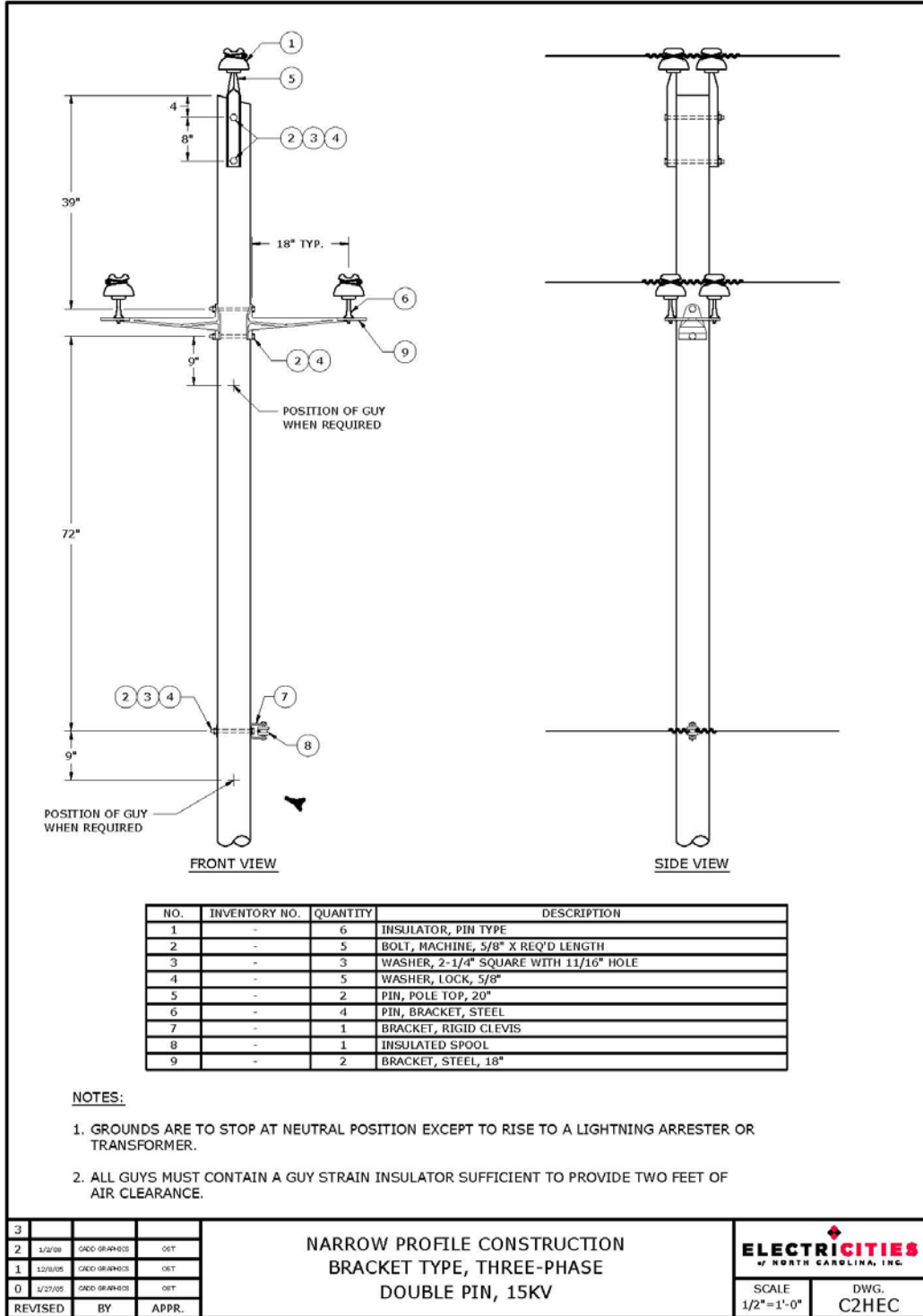
CROSSARM CONSTRUCTION, THREE-PHASE
CENTER PHASE ON ARM, 15KV

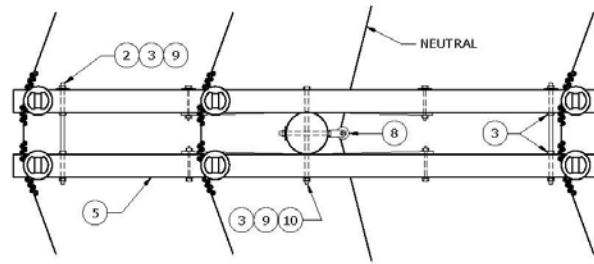
ELECTRICITIES
OF NORTH CAROLINA, INC.

SCALE
1/2"=1'-0"

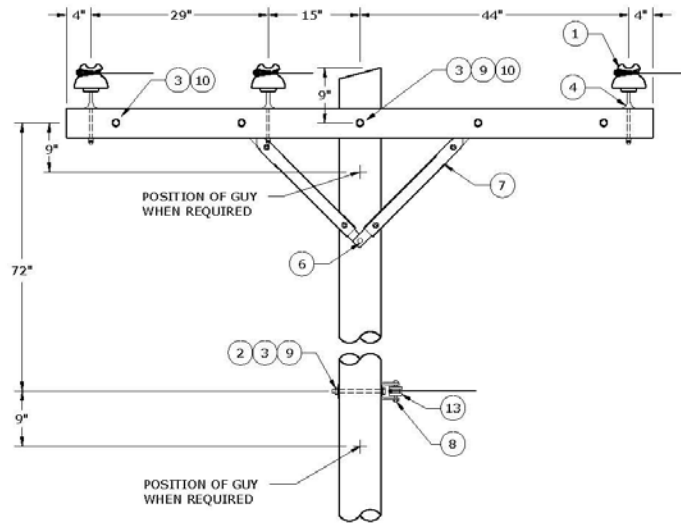
DWG.
C1-1EC







PLAN VIEW



FRONT VIEW

NO.	INVENTORY NO.	QUANTITY	DESCRIPTION
1	-	6	INSULATOR, PIN TYPE
2	-	1	BOLT, MACHINE, 5/8" X REQ'D LENGTH
3	-	11	WASHER, 2-1/4" SQUARE WITH 11/16" HOLE
4	-	6	PIN, CROSSARM, STEEL
5	-	2	CROSSARM, 3-3/4" X 4-3/4" X 8'-0"
6	-	2	SCREW, LAG, 1/2" X 4"
7	-	4	EA. BRACE, WOOD, 38" SPAN
8	-	1	BRACKET, RIGID CLEVIS, INSULATED
9	-	11	WASHER, LOCK, 5/8"
10	-	3	BOLT, DOUBLE ARMING, 5/8" X REQ'D LENGTH
11	-	4	BOLT, CARRIAGE, 3/8" X 4-1/2"
12	-	2	WASHER, LOCK, 3/8"
13	-	1	INSULATED SPOOL

NOTES:

1. GROUNDS ARE TO STOP AT THE NEUTRAL POSITION EXCEPT TO RISE TO A LIGHTNING ARRESTER OR TRANSFORMER.
2. ALL GUYS MUST CONTAIN A GUY STRAIN INSULATOR SUFFICIENT TO PROVIDE TWO FEET OF AIR CLEARANCE.

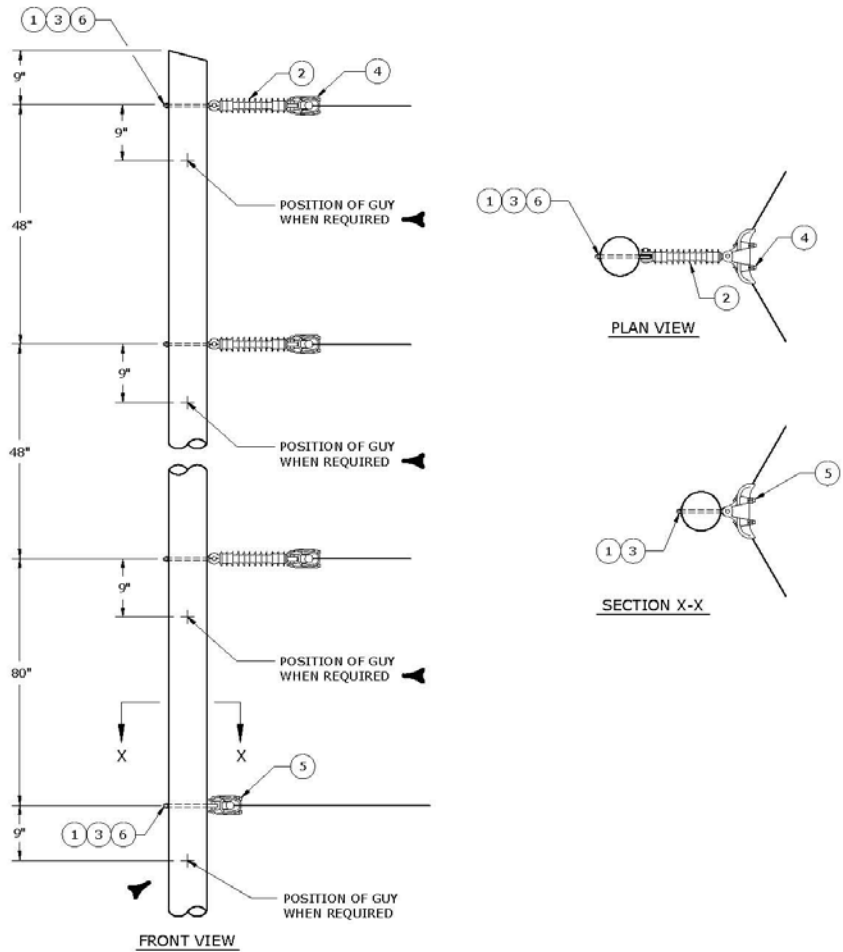
3			
2	2/13/09	CACD ORAH-003	09T
1	1/2/08	CACD ORAH-003	08T
0	1/26/05	CACD ORAH-003	05T
REVISED	BY	APPR.	

CROSSARM CONSTRUCTION THREE-PHASE
 ► CENTER PHASE ON DOUBLE ARMS, 15KV

ELECTRICITIES
 OF NORTH CAROLINA, INC.

SCALE
 1/2"=1'-0"

DWG.
 C2-1EC



NO.	INVENTORY NO.	QUANTITY	DESCRIPTION
1	-	4	WASHER, 2-1/4" SQUARE WITH 11/16" HOLE
2	-	3	POLYMER DEADEND, 15KV
3	-	4	BOLT, OVAL EYE, 5/8" X REQUIRED LENGTH
4	-	3	ANGLE ASSEMBLY, PRIMARY
5	-	1	ANGLE ASSEMBLY, NEUTRAL
6	-	4	WASHER, LOCK, 5/8"

NOTES:

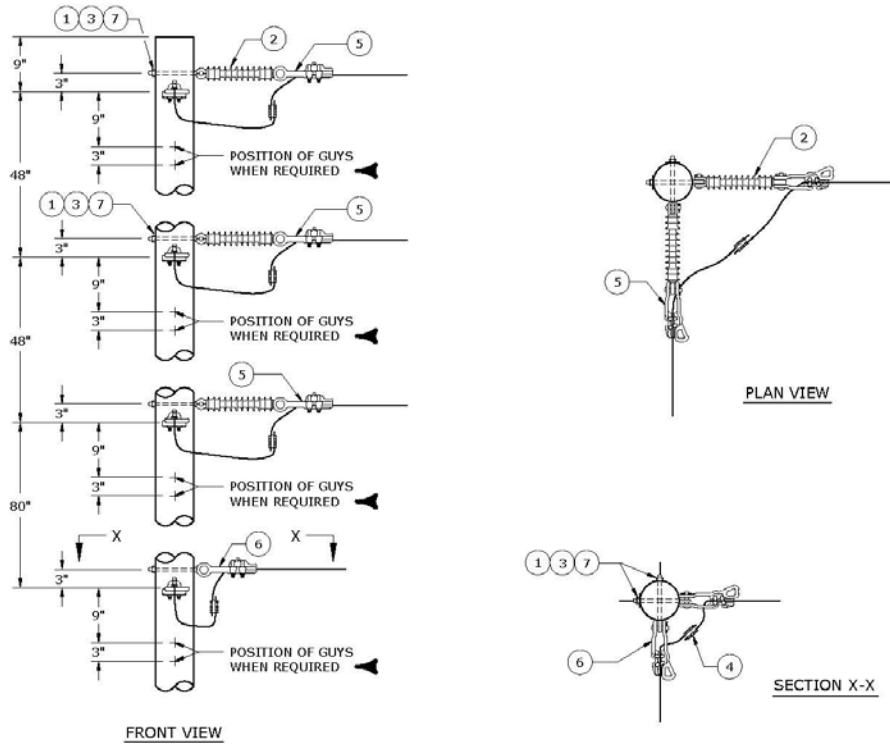
1. GROUNDS ARE TO STOP AT THE NEUTRAL POSITION EXCEPT TO RISE TO A LIGHTNING ARRESTOR OR TRANSFORMER.
2. ALL GUYS MUST CONTAIN A GUY STRAIN INSULATOR SUFFICIENT TO PROVIDE TWO FEET OF AIR CLEARANCE.

3			
2			
1	1/2/08	CRCD/BR/AR/02	DET
0	1/26/05	CRCD/BR/AR/02	DET
REVISED	BY	APPR.	

**VERTICAL CONSTRUCTION
THREE-PHASE
SUSPENSION STRUCTURE, 15KV**

ELECTRICITIES
OF NORTH CAROLINA, INC.

SCALE 1/2"=1'-0"	DWG. C3EC
---------------------	--------------



NO.	INVENTORY NO.	QUANTITY	DESCRIPTION
1	-	8	WASHER, 2-1/4" SQUARE WITH 11/16" HOLE
2	-	6	POLYMER, DEADEND, 15KV
3	-	8	BOLT, OVAL EYE, 5/8" X REQUIRED LENGTH
4	-	X	CONNECTORS, AS REQ'D
5	-	6	DEADEND ASSEMBLY, PRIMARY
6	-	2	DEADEND ASSEMBLY, NEUTRAL
7	-	8	WASHER, LOCK, 5/8"

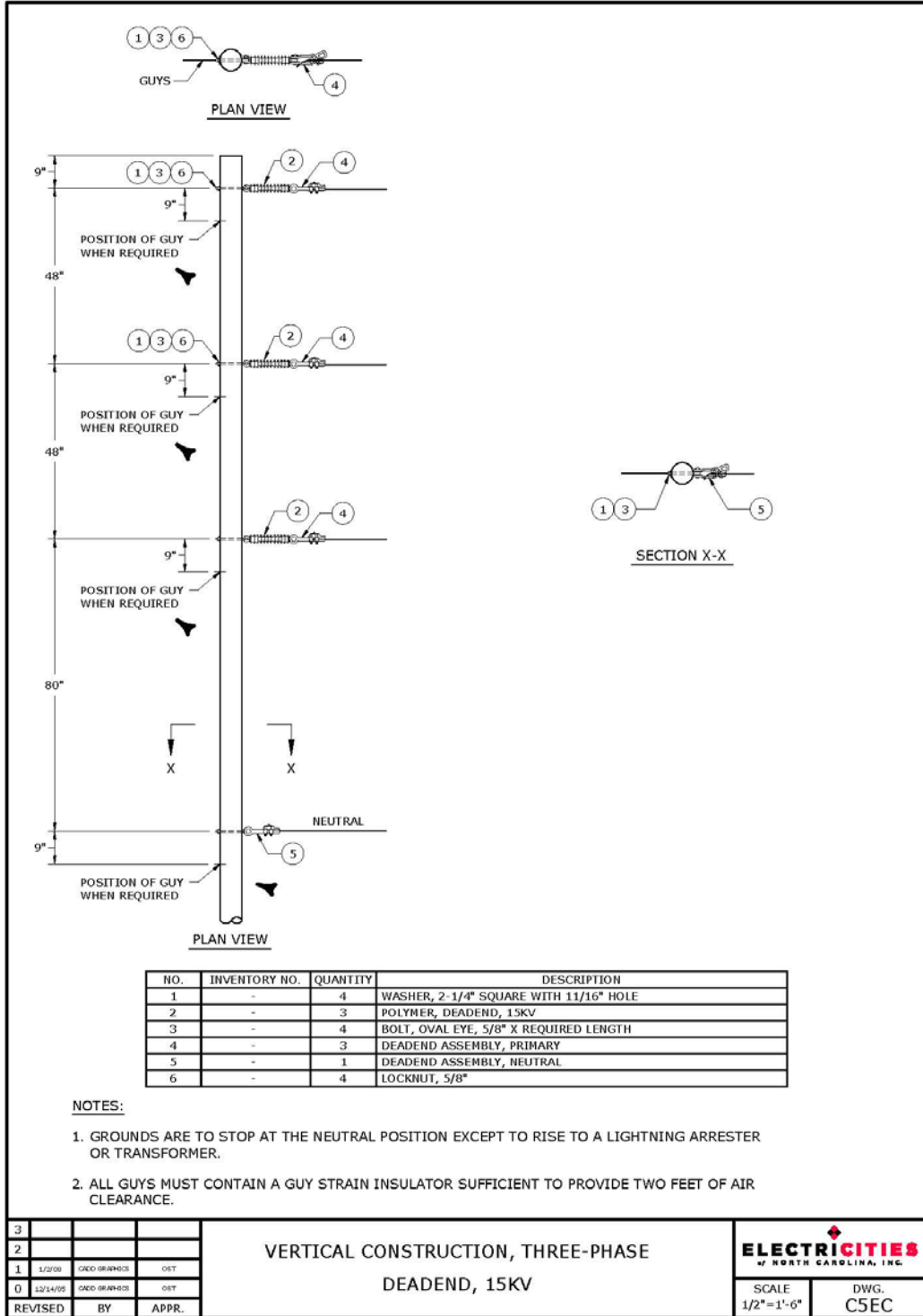
NOTES:

1. GROUNDS ARE TO STOP AT THE NEUTRAL POSITION EXCEPT TO RISE TO A LIGHTNING ARRESTER OR TRANSFORMER.
2. ALL GUYS MUST CONTAIN A GUY STRAIN INSULATOR SUFFICIENT TO PROVIDE TWO FEET OF AIR CLEARANCE.

3			
2			
1	1/2/08	QDC/BR/HR/03	DET
0	1/26/05	QDC/BR/HR/03	DET
REVISED	BY	APPR.	

**VERTICAL CONSTRUCTION, THREE-PHASE
CORNER STRUCTURE,
DOUBLE DEADEND, 15KV**

ELECTRICITIES OF NORTH CAROLINA, INC.	
SCALE 1/2"=1'-0"	DWG. C4EC



NO.	INVENTORY NO.	QUANTITY	DESCRIPTION
1	-	4	WASHER, 2-1/4" SQUARE WITH 11/16" HOLE
2	-	3	POLYMER, DEADEND, 15KV
3	-	4	BOLT, OVAL EYE, 5/8" X REQUIRED LENGTH
4	-	3	DEADEND ASSEMBLY, PRIMARY
5	-	1	DEADEND ASSEMBLY, NEUTRAL
6	-	4	LOCKNUT, 5/8"

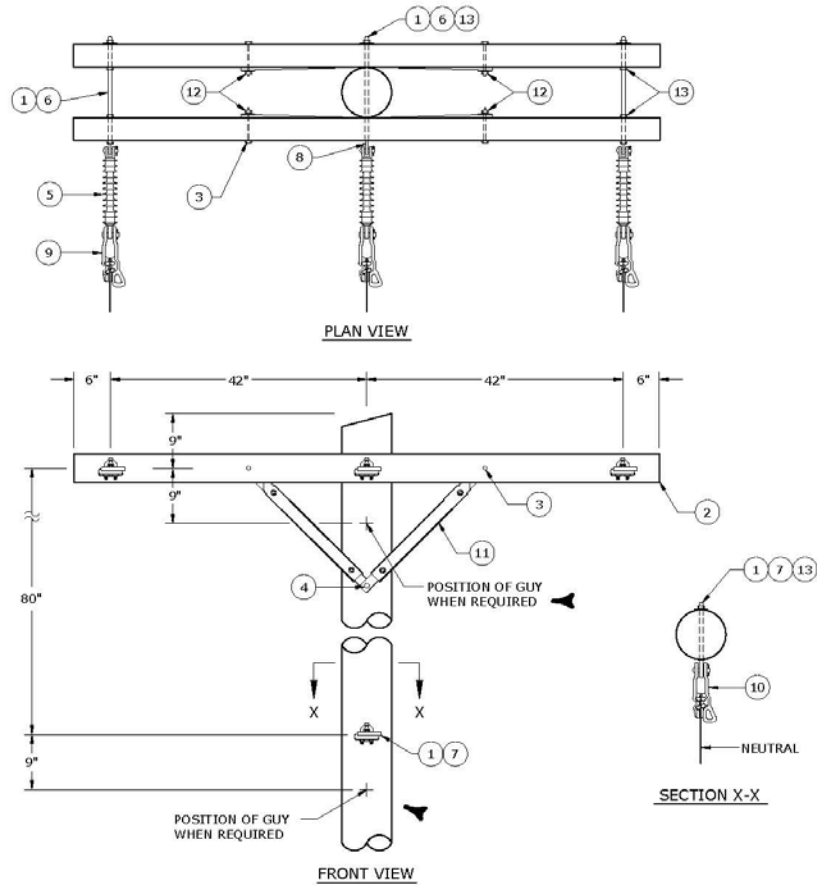
- NOTES:**
1. GROUNDS ARE TO STOP AT THE NEUTRAL POSITION EXCEPT TO RISE TO A LIGHTNING ARRESTER OR TRANSFORMER.
 2. ALL GUYS MUST CONTAIN A GUY STRAIN INSULATOR SUFFICIENT TO PROVIDE TWO FEET OF AIR CLEARANCE.

3			
2			
1	1/2/08	QEDD/BR/AN-R02	OST
0	12/14/05	QEDD/BR/AN-R02	OST
REVISED	BY	APPR.	

**VERTICAL CONSTRUCTION, THREE-PHASE
DEADEND, 15KV**

ELECTRICITIES
OF NORTH CAROLINA, INC.

SCALE 1/2"=1'-6"	DWG. C5EC
---------------------	--------------

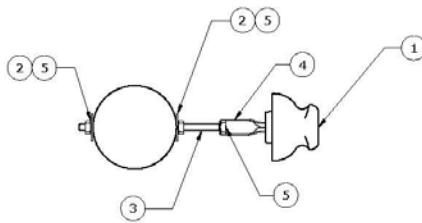


NO.	INVENTORY NO.	QUANTITY	DESCRIPTION
1	-	12	WASHER, 2-1/4" SQUARE WITH 11/16" HOLE
2	-	2	CROSSARM, 3-3/4" X 4-3/4" X 8'-0"
3	-	4	BOLT, CARRIAGE, 3/8" X 4-1/2"
4	-	2	SCREW, LAG, 1/2" X 4"
5	-	3	POLYMER DEADEND, 15KV
6	-	3	BOLT, DOUBLE ARMING, 5/8" X REQ'D LENGTH
7	-	1	BOLT, OVAL EYE, 5/8" X REQ'D LENGTH
8	-	3	NUT, OVAL EYE, 5/8"
9	-	3	DEADEND ASSEMBLY, PRIMARY
10	-	1	DEADEND ASSEMBLY, NEUTRAL
11	-	4	EA, BRACE, WOOD, 38" SPAN
12	-	4	WASHER, LOCK, 3/8"
13	-	11	WASHER, LOCK, 5/8"

NOTES:

1. GROUNDS ARE TO STOP AT THE NEUTRAL POSITION EXCEPT TO RISE TO A LIGHTNING ARRESTER OR TRANSFORMER.
2. ALL GUYS MUST CONTAIN A GUY STRAIN INSULATOR SUFFICIENT TO PROVIDE TWO FEET OF AIR CLEARANCE.

3				CROSSARM CONSTRUCTION, THREE-PHASE DEADEND, 15KV	
2	1/2/08	CADC GR/PH/DCS	OBT		
1	12/10/05	CADC GR/PH/DCS	OBT		
0	1/26/05	CADC GR/PH/DCS	OBT		
REVISED	BY	APPR.			SCALE 1/2" = 1'-0" DWG. C7EC



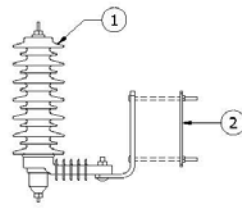
NO.	INVENTORY NO.	QUANTITY	DESCRIPTION
1	-	1	INSULATOR, PIN TYPE (UP TO 23KV)
2	-	2	WASHER, 2 1/4" SQUARE WITH 11/16" HOLE
3	-	1	BOLT, DOUBLE ARMING, 5/8" x REQ'D LENGTH
4	-	1	ADAPTER, INSULATOR
5	-	3	LOCKNUT, 5/8"

3			
2			
1			
0	2/25/04	CAD: GRAPHICS	DET
REVISED	BY	APPR.	

STAND-OFF INSULATOR

ELECTRICITIES
OF NORTH CAROLINA, INC.

SCALE 1"=1'-0"	DWG. M5-4EC
-------------------	----------------



SIDE VIEW

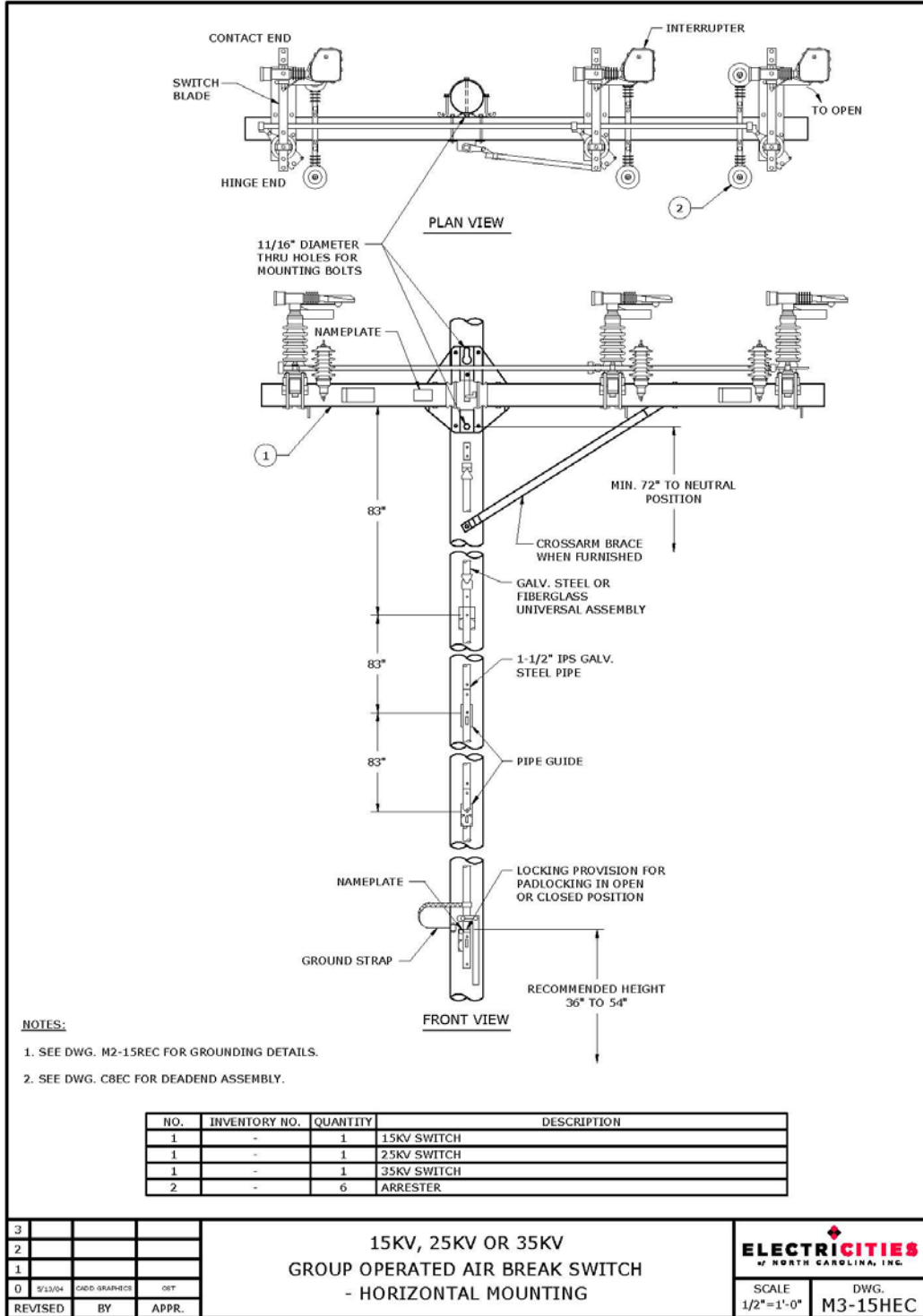
NO.	INVENTORY NO.	QUANTITY	DESCRIPTION
1	-	1	LIGHTNING ARRESTER
2	-	1	MOUNTING BRACKET

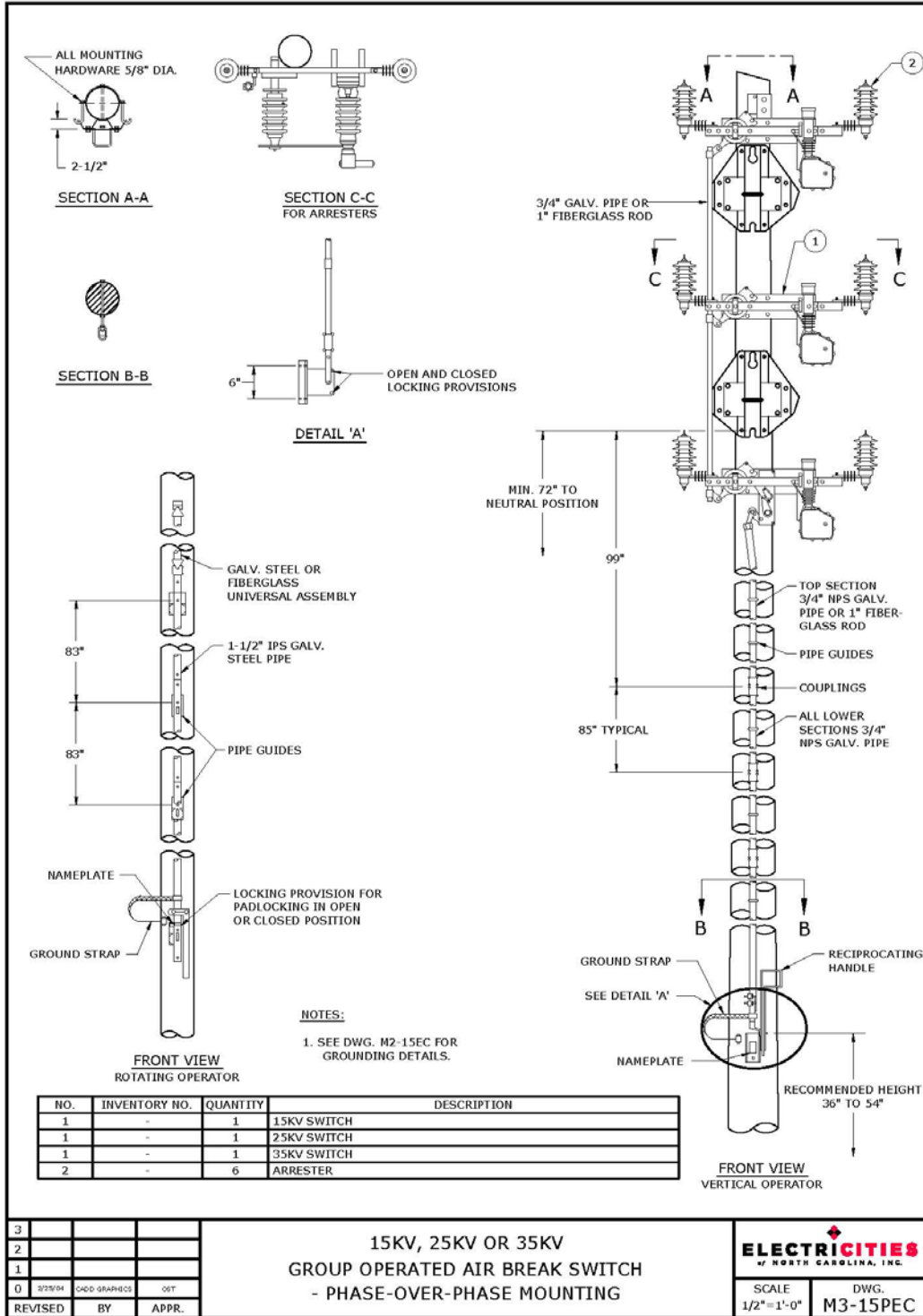
3			
2			
1			
0	4/26/04	CADD GRAPHICS	06T
REVISED	BY	APPR.	

LIGHTNING ARRESTER ASSEMBLY

ELECTRICITIES
of NORTH CAROLINA, INC.

SCALE: 1"=1'-0"
DWG. M5-6EC





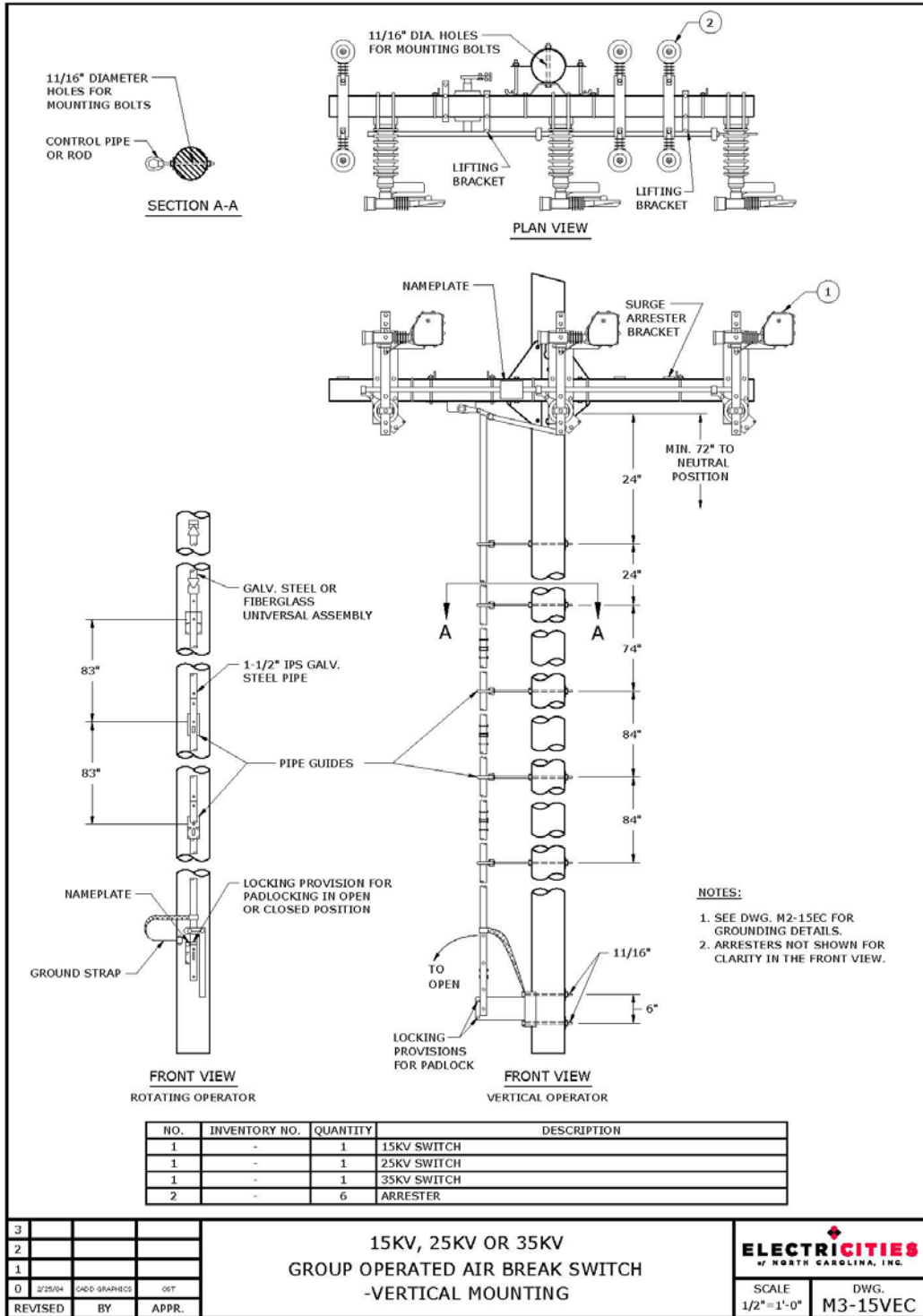
3			
2			
1			
0	3/25/04	CAD: GRAPHICS	DET
REVISED	BY	APPR.	

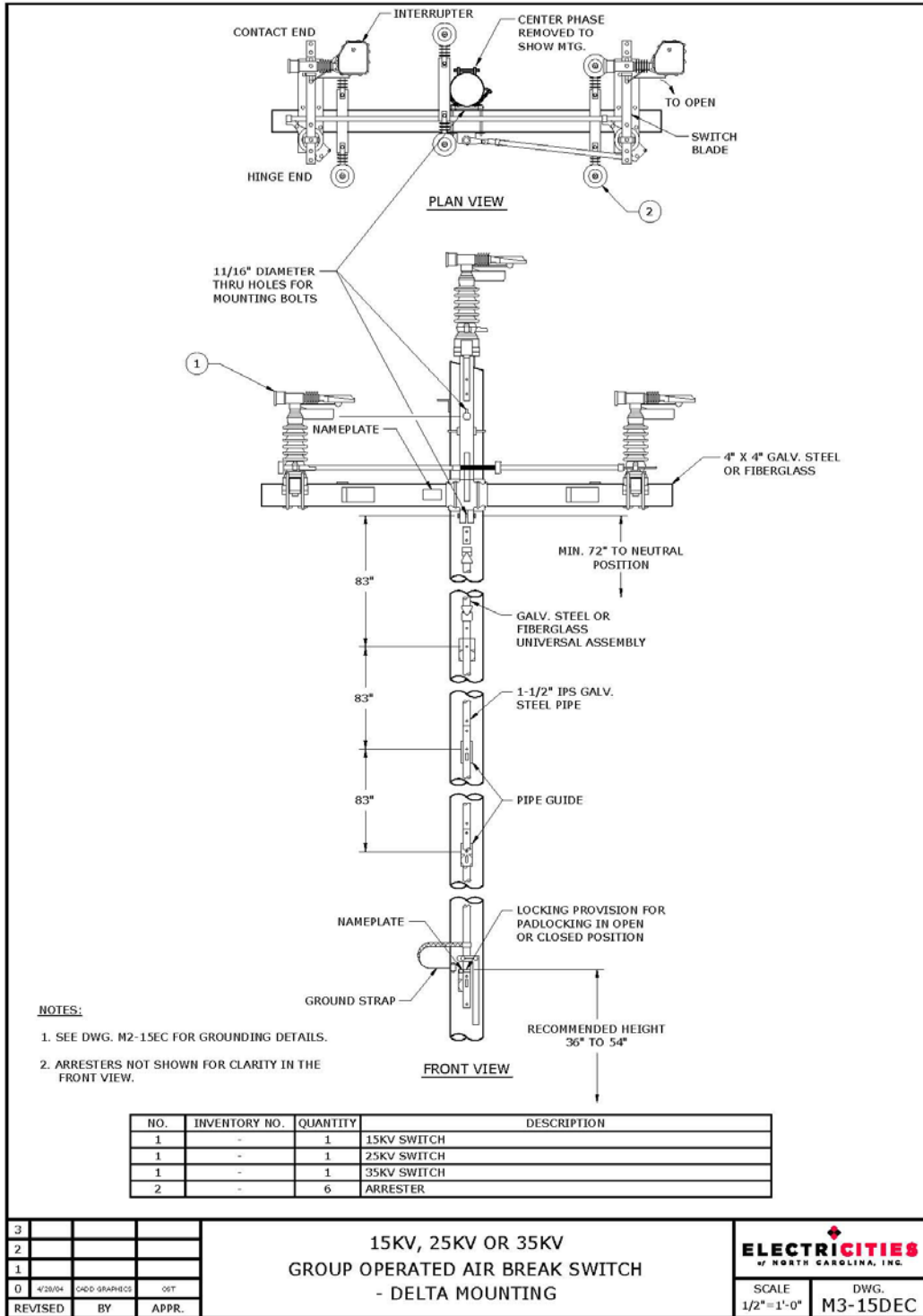
15KV, 25KV OR 35KV
 GROUP OPERATED AIR BREAK SWITCH
 - PHASE-OVER-PHASE MOUNTING

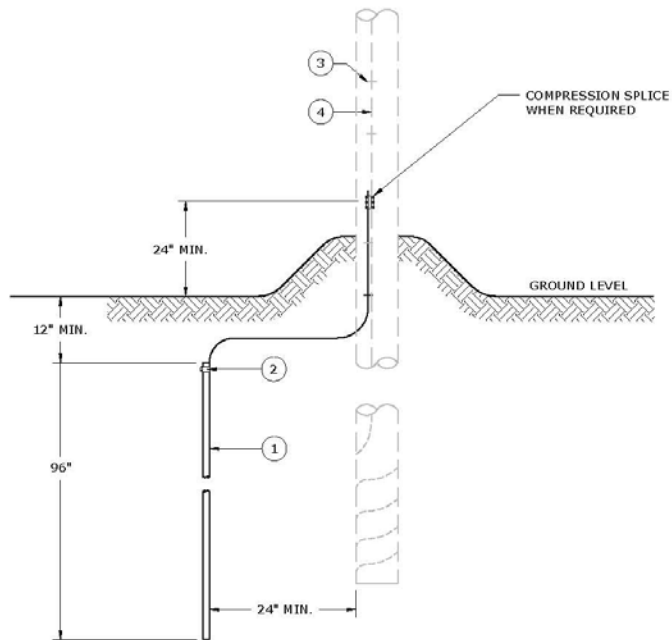
ELECTRICITIES
 of NORTH CAROLINA, INC.

SCALE 1/2" = 1'-0"

DWG. M3-15PEC







NO.	INVENTORY NO.	QUANTITY	DESCRIPTION
1	-	1	ROD, GROUND, 5/8" DIA. x 8'-0"
2	-	1	CLAMP, GROUNDING ROD
3	-	-	STAPLE, GROUND WIRE, AS REQUIRED
4	-	-	GROUND WIRE, #4 S.D. CU MIN. OR EQUIV. (REQ'D LENGTH)

NOTES:

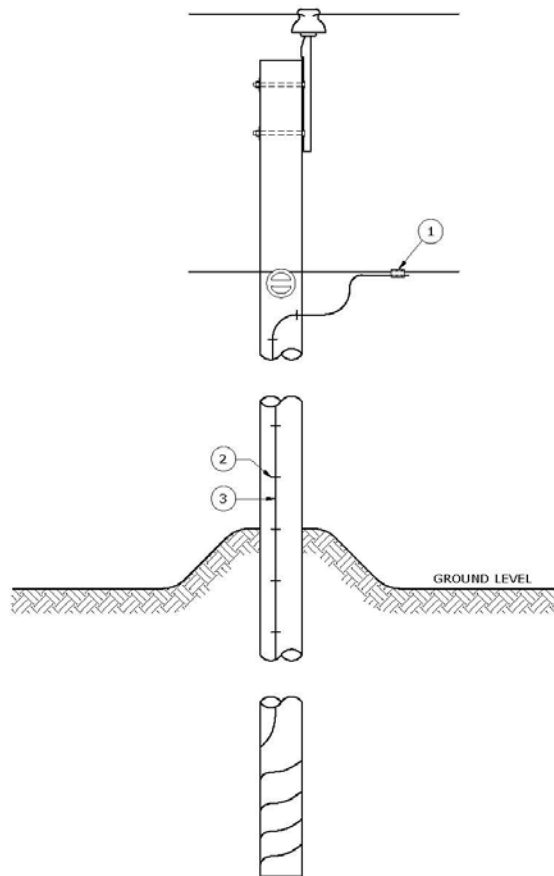
- GROUND WIRE TO BE LOCATED ON SAME SIDE AS NEUTRAL CONDUCTOR AND IN QUADRANT OPPOSITE CLIMBING SPACE OR POLE TOP PIN.
- STAPLES ON GROUND WIRE SHALL BE 2'-0" APART, EXCEPT FOR A DISTANCE OF 8'-0" ABOVE GROUND AND 8'-0" FROM TOP OF POLE, WHERE THEY SHALL BE 6" APART.
- GROUND WIRE TO CLEAR ALL HARDWARE BY 2" MINIMUM, AND SHALL BE STAPLED TO MAINTAIN THIS POSITION.
- GROUND WIRE Moulding MAY BE INSTALLED AT DISCRETION OF OWNER.
- INSTALL MULTIPLE GROUND RODS (STACKED OR SEPARATED) AS REQUIRED TO ACHIEVE 25 OHM RESISTANCE. MULTIPLE SEPARATED GROUNDS SHALL HAVE A MINIMUM 6 FT. SEPARATION.
- GROUNDS ARE TO STOP AT NEUTRAL POSITION EXCEPT TO RISE TO A LIGHTNING ARRESTER OR TRANSFORMER.

3			
2			
1			
0	2/2/05	OMD: GRN-RD	DET
REVISED	BY	APPR.	

GROUNDING ASSEMBLY
GROUND ROD TYPE

ELECTRICITIES
OF NORTH CAROLINA, INC.

SCALE 1/2"=1'-0"	DWG. M2-1EC
---------------------	----------------



NO.	INVENTORY NO.	QUANTITY	DESCRIPTION
1	-	-	CONNECTORS AS REQ'D
2	-	-	STAPLE, GROUND WIRE, AS REQ'D
3	-	-	GROUND WIRE, #4 S.D. CU MIN. OR EQUIV. (REQ'D LENGTH)

NOTES:

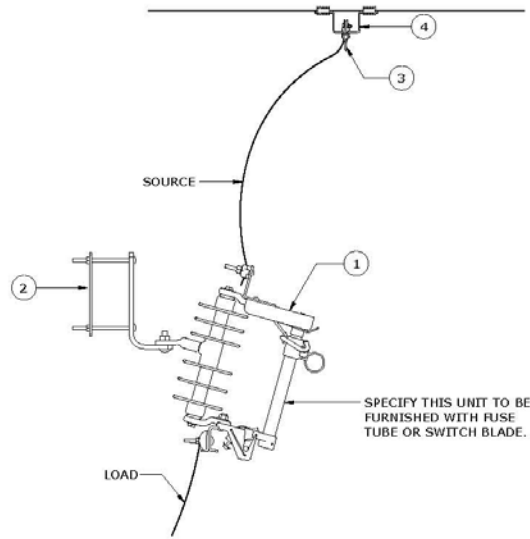
1. GROUND WIRE TO BE LOCATED ON SAME SIDE AS NEUTRAL CONDUCTOR AND IN QUADRANT OPPOSITE CLIMBING SPACE OR POLE TOP PIN.
2. STAPLES ON GROUND WIRE SHALL BE 2'-0" APART, EXCEPT FOR A DISTANCE OF 8'-0" ABOVE GROUND AND 8'-0" FROM TOP OF POLE, WHERE THEY SHALL BE 6" APART.
3. GROUND WIRE TO CLEAR ALL HARDWARE BY 2" MINIMUM, AND SHALL BE STAPLED TO MAINTAIN THIS POSITION.
4. GROUND WIRE MOULDING MAY BE INSTALLED AT DISCRETION OF THE OWNER.
5. GROUNDS ARE TO STOP AT NEUTRAL POSITION EXCEPT TO RISE TO A LIGHTNING ARRESTER OR TRANSFORMER.
6. BUTT PLATE IS NOT TO BE CONSIDERED AS GROUNDING ELECTRODE AS DESCRIBED BY NESC FOR MULTI-GROUNDED SYSTEM.

3			
2			
1			
0	2/25/04	CMC/GRAN/02	DET
REVISED	BY	APPR.	

**GROUNDING ASSEMBLY
BUTT AND PLATE TYPE**

ELECTRICITIES
OF NORTH CAROLINA, INC.

SCALE: 1/2"=1'-0" DWG. M2-12EC



SIDE VIEW

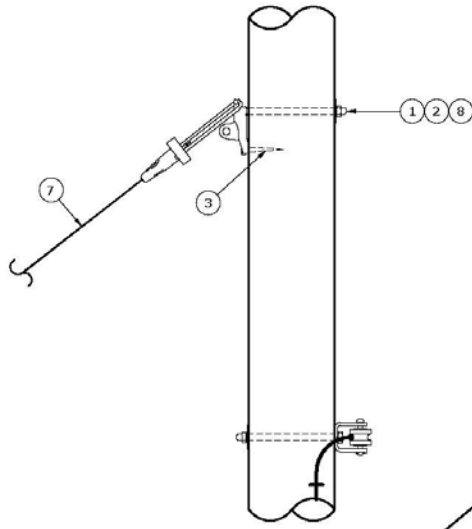
NO.	INVENTORY NO.	QUANTITY	DESCRIPTION
1	-	1	FUSED CUTOUT
2	-	1	MOUNTING BRACKET
3	-	1	CLAMP, HOT LINE
4	-	1	STIRRUP

3			
2			
1			
0	11/19/04	CADD GRAPHICS	OTERSON
REVISED	BY	APPR.	

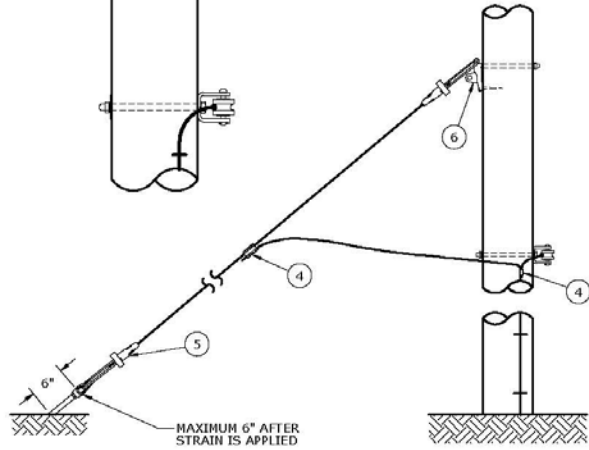
FUSED CUTOUT ASSEMBLY

ELECTRICITIES
OF NORTH CAROLINA, INC.

SCALE 1"=1'-0"	DWG. M5-9EC
-------------------	----------------



RECOMMENDED GUY STRAND HIGH STRENGTH GRADE	
NOMINAL DIAMETER	MINIMUM BREAKING STRENGTH
1/4"	4750 LBS
5/16"	6350 LBS
3/8"	10,800 LBS
7/16"	14,500 LBS



NO.	INVENTORY NO.	QUANTITY	DESCRIPTION
1	-	1	BOLT, MACHINE, 5/8" x REQUIRED LENGTH
2	-	1	WASHER, 2 1/4" SQUARE WITH 11/16" HOLE
3	-	1	SCREW LAG, 1/2" x 4", AS REQUIRED
4	-	-	CONNECTORS, AS REQUIRED
5	-	2	GUY, DEADEND
6	-	1	GUY ATTACHMENT (5200 LBS)
7	-	-	GUY STRAND, LENGTH AND SIZE AS REQUIRED
8	-	1	WASHER, LOCK, 5/8"

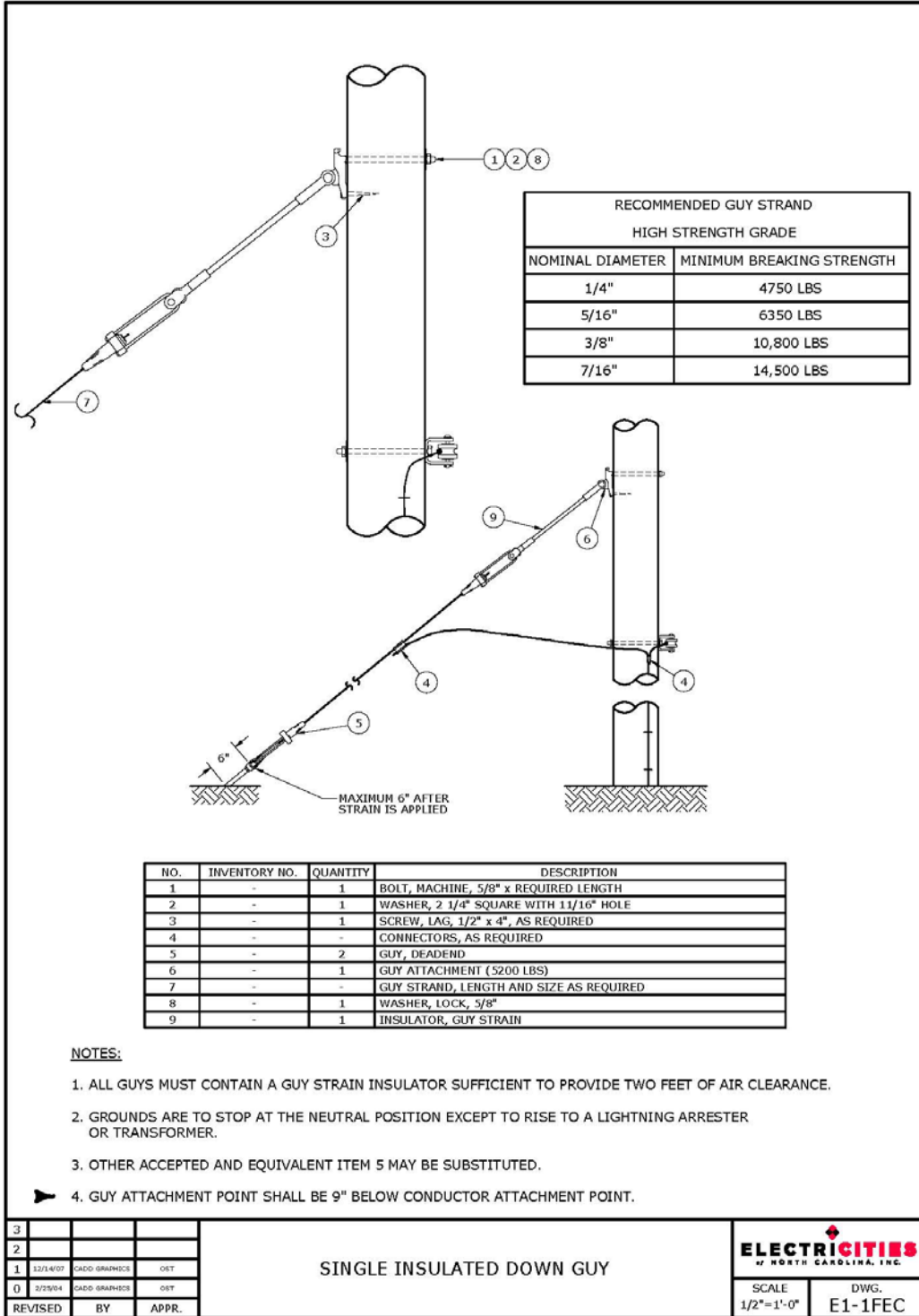
NOTES:

- ALL GUYS MUST CONTAIN A GUY STRAIN INSULATOR SUFFICIENT TO PROVIDE TWO FEET OF AIR CLEARANCE.
- GROUND ARE TO STOP AT THE NEUTRAL POSITION EXCEPT TO RISE TO A LIGHTNING ARRESTER OR TRANSFORMER.
- OTHER ACCEPTED AND EQUIVALENT ITEM 5 MAY BE SUBSTITUTED.
- GUY ATTACHMENT POINT SHALL BE 9" BELOW CONDUCTOR ATTACHMENT POINT.

3			
2			
1	12/14/07	CADD GRAPHICS	OST
0	2/25/04	CADD GRAPHICS	OST
REVISED	BY	APPR.	

SINGLE DOWN GUY
THROUGH BOLT TYPE

ELECTRICITIES OF NORTH CAROLINA, INC.	
SCALE 1/2"=1'-0"	DWG. E1-1EC



RECOMMENDED GUY STRAND HIGH STRENGTH GRADE	
NOMINAL DIAMETER	MINIMUM BREAKING STRENGTH
1/4"	4750 LBS
5/16"	6350 LBS
3/8"	10,800 LBS
7/16"	14,500 LBS

NO.	INVENTORY NO.	QUANTITY	DESCRIPTION
1	-	1	BOLT, MACHINE, 5/8" x REQUIRED LENGTH
2	-	1	WASHER, 2 1/4" SQUARE WITH 11/16" HOLE
3	-	1	SCREW LAG, 1/2" x 4", AS REQUIRED
4	-	-	CONNECTORS, AS REQUIRED
5	-	2	GUY, DEADEND
6	-	1	GUY ATTACHMENT (5200 LBS)
7	-	-	GUY STRAND, LENGTH AND SIZE AS REQUIRED
8	-	1	WASHER, LOCK, 5/8"
9	-	1	INSULATOR, GUY STRAIN

- NOTES:**
1. ALL GUYS MUST CONTAIN A GUY STRAIN INSULATOR SUFFICIENT TO PROVIDE TWO FEET OF AIR CLEARANCE.
 2. GROUNDS ARE TO STOP AT THE NEUTRAL POSITION EXCEPT TO RISE TO A LIGHTNING ARRESTER OR TRANSFORMER.
 3. OTHER ACCEPTED AND EQUIVALENT ITEM 5 MAY BE SUBSTITUTED.
 4. GUY ATTACHMENT POINT SHALL BE 9" BELOW CONDUCTOR ATTACHMENT POINT.

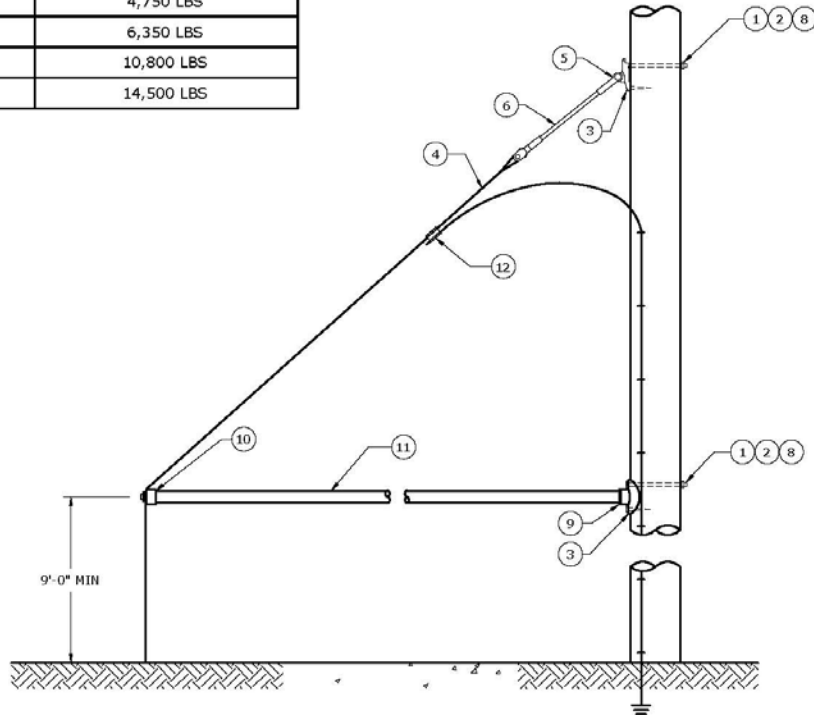
3			
2			
1	12/14/07	CADD GRAPHICS	OBT
0	2/25/04	CADD GRAPHICS	OBT
REVISED	BY	APPR.	

SINGLE INSULATED DOWN GUY

ELECTRICITIES
OF NORTH CAROLINA, INC.

SCALE: 1/2"=1'-0" DWG. E1-1FEC

RECOMMENDED GUY STRAND HIGH STRENGTH GRADE	
NOMINAL DIAMETER	MINIMUM BREAKING STRENGTH
1/4"	4,750 LBS
5/16"	6,350 LBS
3/8"	10,800 LBS
7/16"	14,500 LBS



NO.	INVENTORY NO.	QUANTITY	DESCRIPTION
1	-	2	BOLT, MACHINE, 5/8" x REQUIRED LENGTH
2	-	2	WASHER, 2 1/4" SQUARE WITH 11/16" HOLE
3	-	2	SCREW, LAG, 1/2" x 4"
4	-	2	DEADEND, GUY
5	-	1	GUY ATTACHMENT
6	-	-	INSULATOR, GUY STRAIN, QUANTITY AND LENGTH AS REQUIRED
7	-	-	GUY STRAND, LENGTH AND SIZE AS REQUIRED
8	-	2	WASHER, LOCK, 5/8"
9	-	1	PLATE, POLE
10	-	1	STRUT, END FITTING
11	-	1	STRUT PIPE ASSEMBLY, 2" GALVANIZED, LENGTH AS REQUIRED
12	-	X	CONNECTORS, AS REQ'D

NOTES:

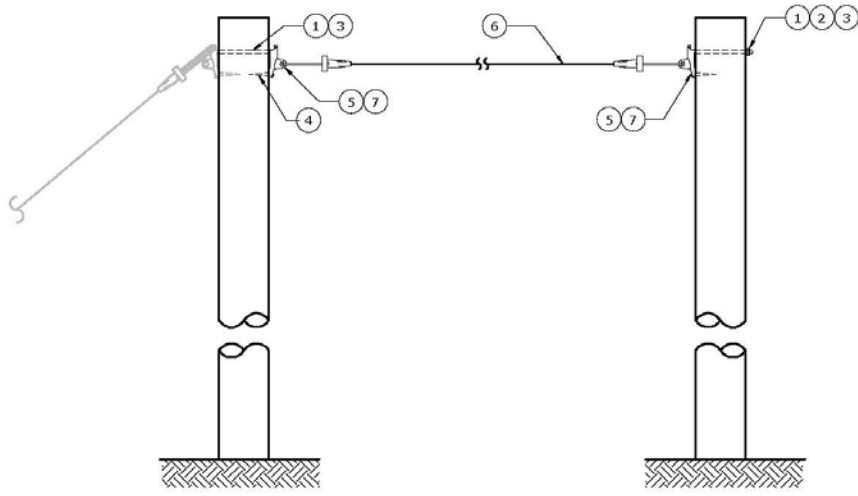
- OTHER ACCEPTED AND EQUIVALENT ITEM 4 MAY BE SUBSTITUTED.
- SIDEWALK GUYS DO NOT PROVIDE NESC DESIGN STRENGTHS. NOT FOR HEAVY LOADING, CONSIDER INCREASING POLE CLASS.
- ALL GUYS MUST CONTAIN A GUY STRAIN INSULATOR SUFFICIENT TO PROVIDE TWO FEET OF AIR CLEARANCE.
- GUY ATTACHMENT POINT SHALL BE 9" BELOW CONDUCTOR ATTACHMENT POINT.

3			
2			
1	12/14/07	CADD GRAPHICS	OBT
0	5/3/04	CADD GRAPHICS	OBT
REVISED	BY	APPR.	

SIDEWALK GUY

ELECTRICITIES
OF NORTH CAROLINA, INC.

SCALE: 1/2" = 1'-0"
DWG. E1-1SWEC



NO.	INVENTORY NO.	QUANTITY	DESCRIPTION
1	-	2	BOLT, MACHINE, 5/8" x REQUIRED LENGTH
2	-	1	WASHER, 2 1/4" SQUARE WITH 11/16" HOLE
3	-	4	WASHER, LOCK, 5/8"
4	-	2	SCREW, LAG, 1/2" x 4", AS REQUIRED
5	-	2	GUY ATTACHMENT
6	-	-	GUY STRAND, SIZE AND LENGTH AS REQUIRED
7	-	2	GUY, DEADEND

NOTES:

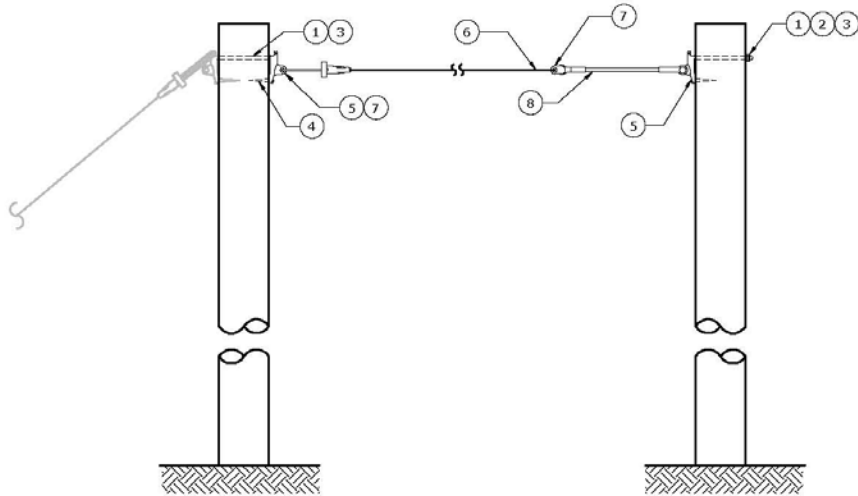
1. ALL GUYS MUST CONTAIN A GUY STRAIN INSULATOR SUFFICIENT TO PROVIDE TWO FEET OF AIR CLEARANCE.
2. GROUNDS ARE TO STOP AT THE NEUTRAL POSITION EXCEPT TO RISE TO A LIGHTNING ARRESTER OR TRANSFORMER.
3. OTHER ACCEPTED AND EQUIVALENT ITEM 7 MAY BE SUBSTITUTED.
- ▶ 4. GUY ATTACHMENT POINT SHALL BE 9" BELOW CONDUCTOR ATTACHMENT POINT.

3			
2			
1	12/14/07	CADD BR/PH/CS	DET
0	3/25/04	CADD BR/PH/CS	DET
REVISED	BY	APPR.	

SPAN GUY

ELECTRICITIES
OF NORTH CAROLINA, INC.

SCALE: 1/2"=1'-0"
DWG. E2-2EC



NO.	INVENTORY NO.	QUANTITY	DESCRIPTION
1	-	2	BOLT, MACHINE, 5/8" x REQUIRED LENGTH
2	-	1	WASHER, 2 1/4" SQUARE WITH 11/16" HOLE
3	-	4	WASHER, LOCK, 5/8"
4	-	2	SCREW, LAG, 1/2" x 4", AS REQUIRED
5	-	2	GUY ATTACHMENT
6	-	-	GUY STRAND, SIZE AND LENGTH AS REQUIRED
7	-	2	GUY, DEADEND
8	-	1	INSULATOR, GUY STRAIN

NOTES:

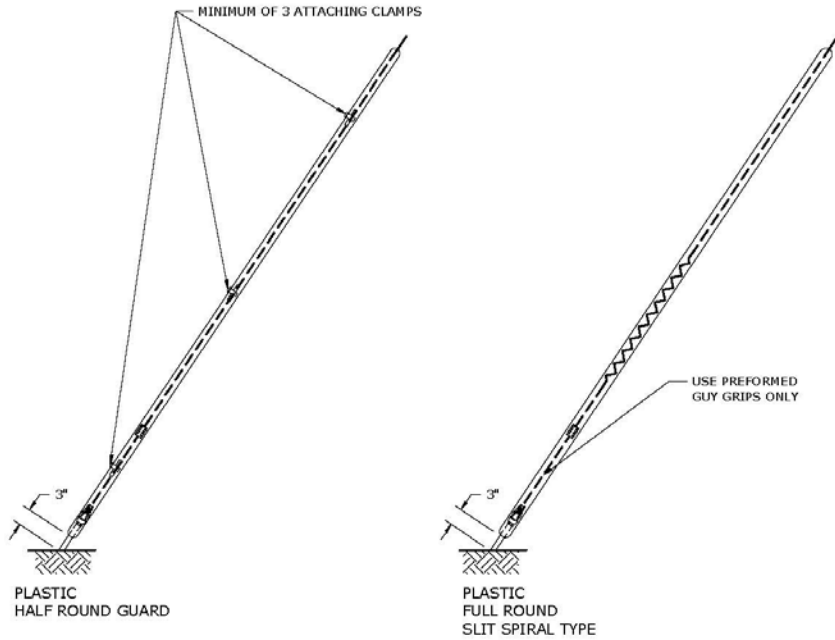
1. ALL GUYS MUST CONTAIN A GUY STRAIN INSULATOR SUFFICIENT TO PROVIDE TWO FEET OF AIR CLEARANCE.
2. GROUNDS ARE TO STOP AT THE NEUTRAL POSITION EXCEPT TO RISE TO A LIGHTNING ARRESTER OR TRANSFORMER.
3. OTHER ACCEPTED AND EQUIVALENT ITEM 7 MAY BE SUBSTITUTED.
- ▶ 4. GUY ATTACHMENT POINT SHALL BE 9" BELOW CONDUCTOR ATTACHMENT POINT.

3			
2			
1	12/14/07	CADD: BR/PH/CS	DET
0	3/25/04	CADD: BR/PH/CS	DET
REVISED	BY	APPR.	

INSULATED SPAN GUY

ELECTRICITIES
OF NORTH CAROLINA, INC.

SCALE: 1/2" = 1'-0"
DWG. E2-2FEC



NOTES:

1. GUY GUARDS SHALL BE NO LESS THAN 8 FEET LONG.
2. VISIBILITY OF COLORED PLASTIC GUARDS CAN BE IMPROVED BY THE USE OF COLOR OR COLOR PATTERNS WHICH PROVIDE CONTRAST WITH THE SURROUNDINGS.
3. GUARDS FOR SIDEWALK GUYS SHOULD BE FULL ROUND TYPE OR INSTALLED SO THAT MOUNTING CLAMPS WILL NOT COME IN CONTACT WITH PEDESTRIANS.
4. GUARDS SHALL BE INSTALLED SO THAT ANCHOR ROD EYE IS COVERED.

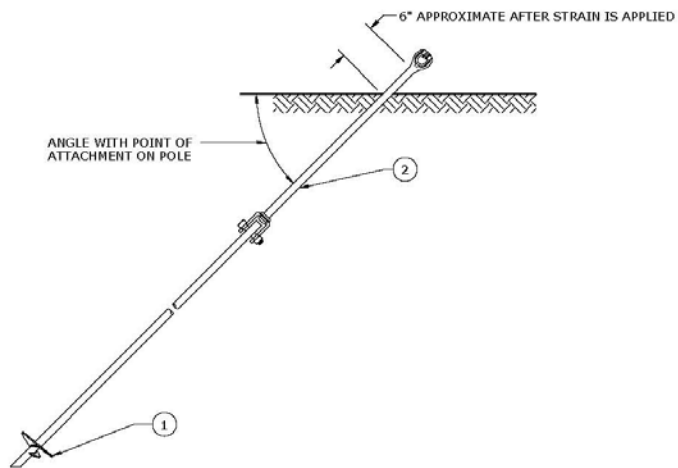
3			
2			
1			
0	5/3/04	DAVID GRANADOS	DET
REVISED	BY	APPR.	

GUY GUARDS

ELECTRICITIES
OF NORTH CAROLINA, INC.

SCALE	DWG.
1/2"=1'-0"	E3-10EC

RECOMMENDED ANCHOR SIZES				
SIZE "X"	8"	10"	15"	SOIL CLASS
HOLDING STRENGTH	11,000 LBS	13,000 LBS	16,000 LBS	5
HOLDING STRENGTH	9,000 LBS	10,000 LBS	15,000 LBS	6
HOLDING STRENGTH	6,000 LBS	7,000 LBS	12,000 LBS	7



NO.	INVENTORY NO.	QUANTITY	DESCRIPTION
1	-	1	SCREW ANCHOR, SIZE AS REQUIRED
2	-	1	EXTENSION ROD, QUANTITY AND LENGTH AS REQUIRED

NOTES:

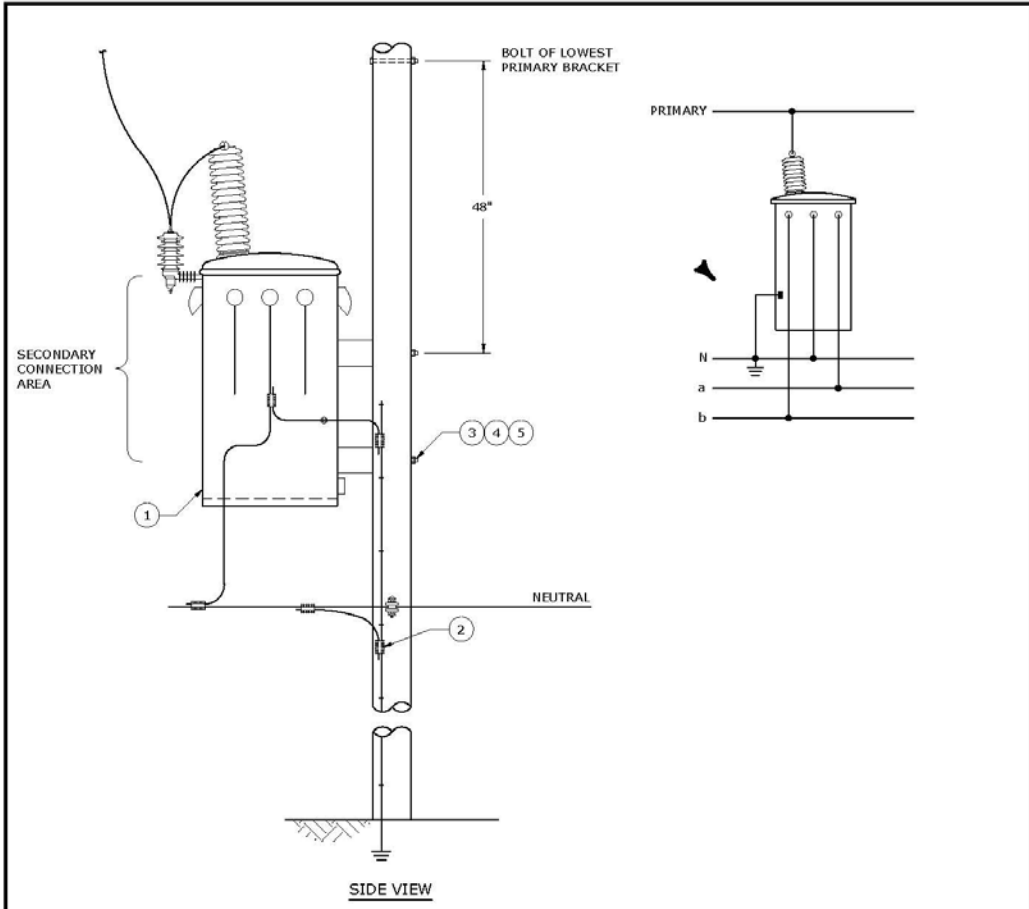
1. USE THE NUMBER OF EXTENSION RODS NEEDED TO REACH THE DEPTH WHERE MAXIMUM HOLDING POWER IS OBTAINED.
2. GROUNDING OF THE GUY IS NOT RECOMMENDED TO PREVENT CATHODIC CORROSION OF THE ANCHOR.
3. ALL GUYS MUST CONTAIN A GUY STRAIN INSULATOR SUFFICIENT TO PROVIDE TWO FEET OF AIR CLEARANCE.
4. SEE DWG. F1-XEC FOR SOIL CLASSIFICATION DATA.

3			
2			
1			
0	3/5/05	CADD GRAPHICS	OST
REVISED	BY	APPR.	

SCREW ANCHOR ASSEMBLY

ELECTRICITIES
OF NORTH CAROLINA, INC.

SCALE: 1/2"=1'-0"
DWG. F2-XEC



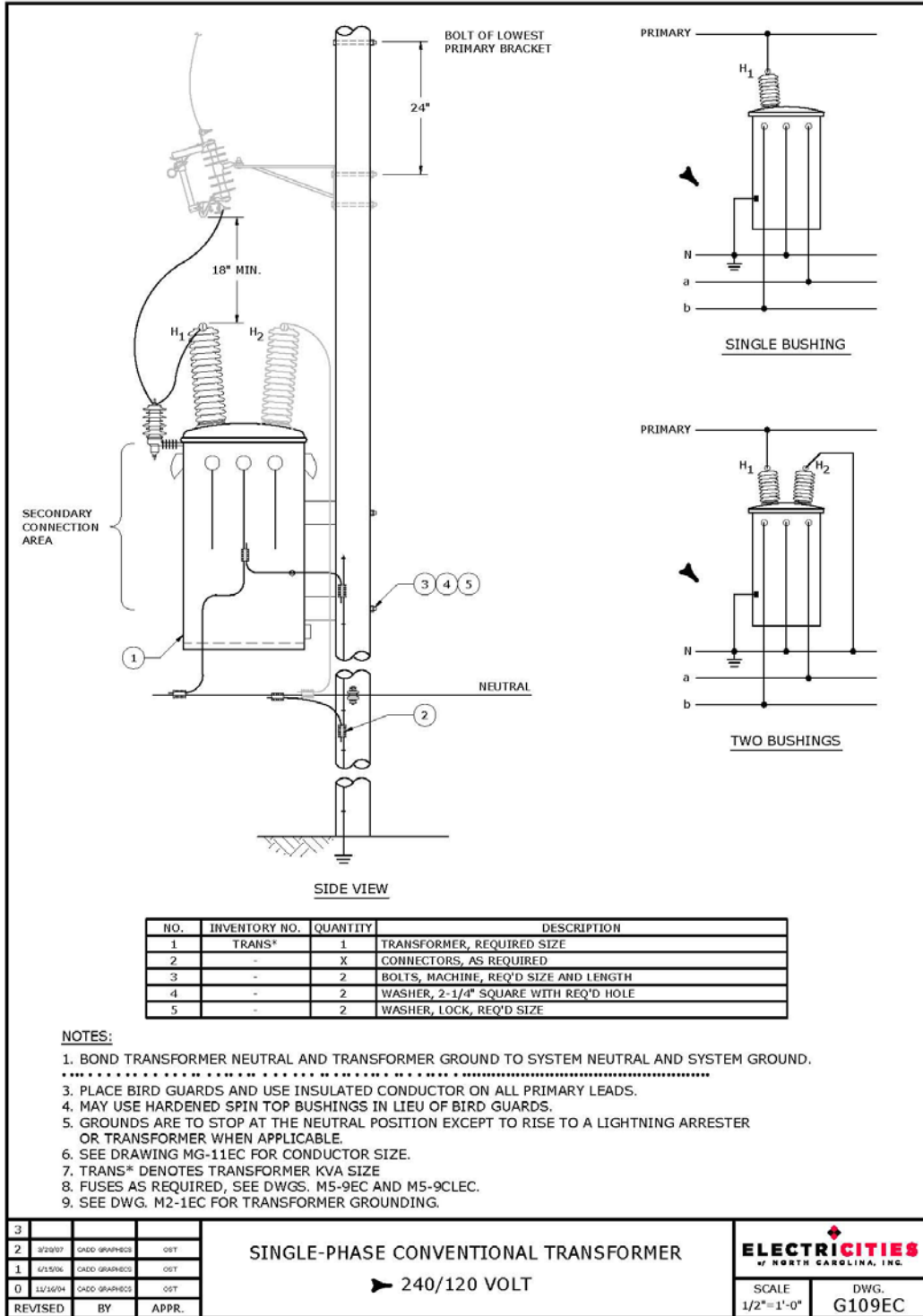
NO.	INVENTORY NO.	QUANTITY	DESCRIPTION
1	TRANS*	1	TRANSFORMER, REQUIRED SIZE
2	-	X	CONNECTORS, AS REQUIRED
3	-	2	BOLTS, MACHINE, REQ'D SIZE AND LENGTH
4	-	2	WASHER, 2-1/4" SQUARE WITH REQ'D HOLE
5	-	2	WASHER, LOCK, REQ'D SIZE
6	-	1	CLAMP, HOT LINE, NOT SHOWN
7	-	1	STIRRUP, NOT SHOWN

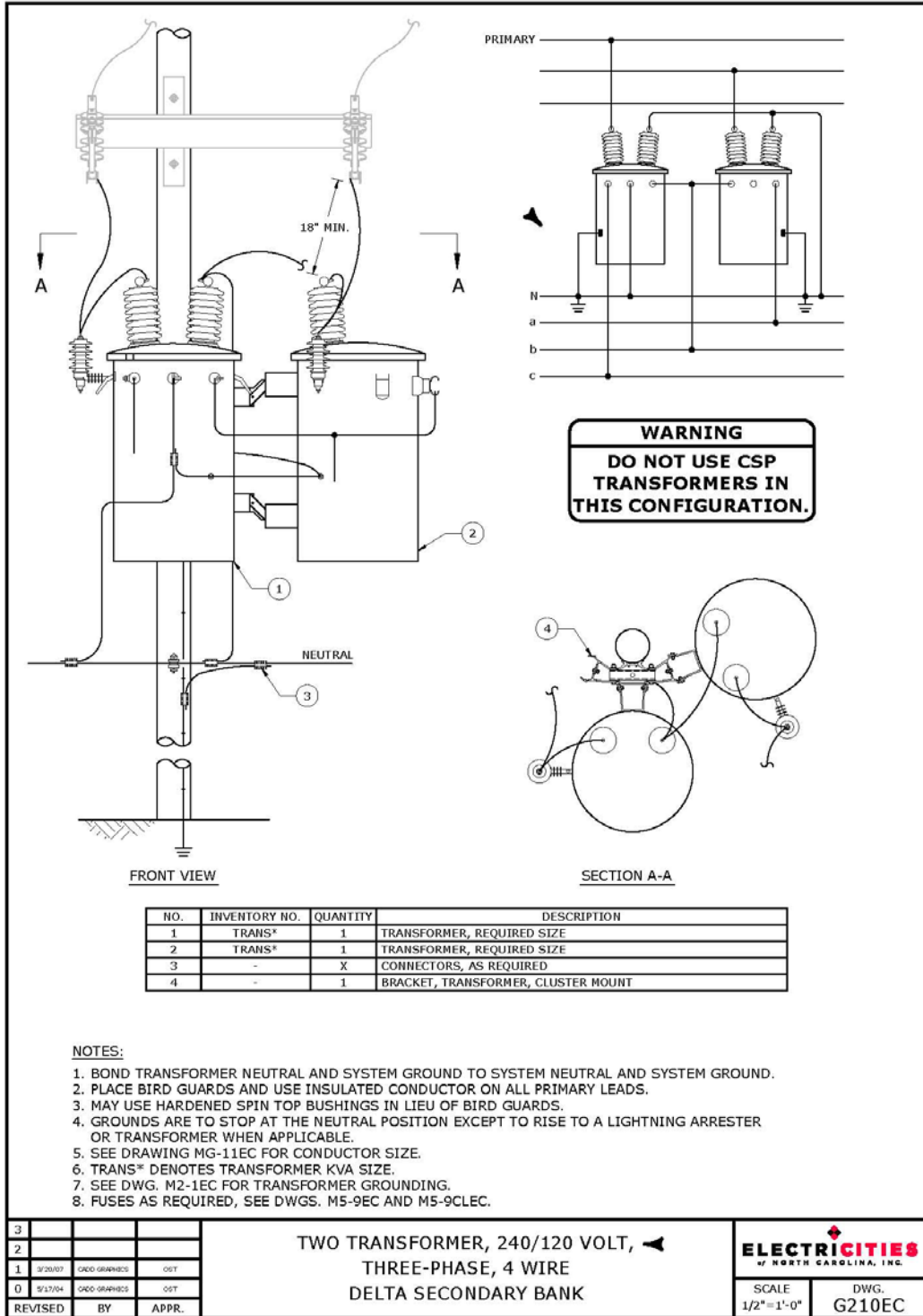
- NOTES:**
- BOND TRANSFORMER NEUTRAL AND TRANSFORMER GROUND TO SYSTEM NEUTRAL AND SYSTEM GROUND.
 - PLACE BIRD GUARDS AND USE INSULATED CONDUCTOR ON ALL PRIMARY LEADS.
 - MAY USE HARDENED SPIN TOP BUSHINGS IN LIEU OF BIRD GUARDS.
 - GROUPS ARE TO STOP AT THE NEUTRAL POSITION EXCEPT TO RISE TO A LIGHTNING ARRESTER OR TRANSFORMER WHEN APPLICABLE.
 - SEE DRAWING MG-11EC FOR CONDUCTOR SIZE.
 - TRANS* DENOTES TRANSFORMER KVA SIZE.
 - CURRENT LIMITING FUSES AS REQUIRED. SEE DWG. M5-9CLEC.
 - SEE DWG. M2-1EC FOR TRANSFORMER GROUNDING.

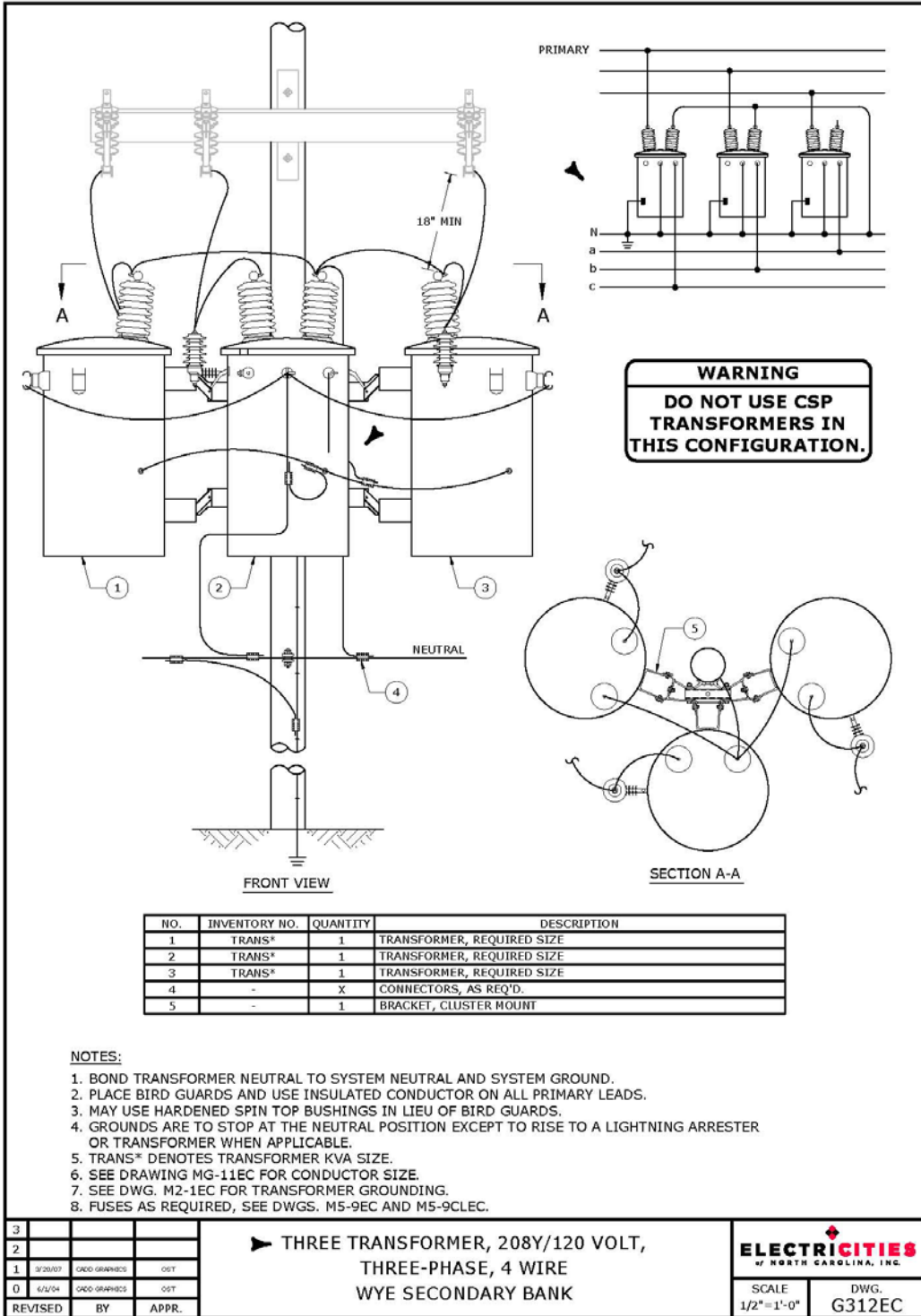
3			
2	3/20/07	GWG GRAPHICS	OST
1	6/15/06	GWG GRAPHICS	OST
0	4/26/04	GWG GRAPHICS	OST
REVISED	BY	APPR.	

SINGLE-PHASE CSP TRANSFORMER
240/120 VOLT

SCALE: 1/2" = 1'-0" DWG. G105EC







SUBMIT BID ON ATTACHED PROPOSAL FORM(S)

[Balance of page left blank intentionally]

Vendor Name: _____

GREENVILLE UTILITIES REQUEST FOR QUOTATION

OVERHEAD ELECTRIC CONSTRUCTION CREW

PROPOSAL FORM

The undersigned bidder hereby declares that he has carefully examined the enclosed detailed Specifications for the furnishing of Greenville Utilities with an overhead electric construction crew. The undersigned bidder further agrees, if this proposal be accepted within thirty (30) days from the date of the opening, to consummate the contract within 10 days after acceptance.

ITEM NO.	QUANTITY	DESCRIPTION	UNIT HR PRICE	EXTENSION
I		OH ELECTRIC CONSTRUCTION CREW		
	1040 hrs.	Crew Leader	\$ _____	\$ _____
	1040 hrs.	First Class Lineman	\$ _____	\$ _____
	1040 hrs.	Second Class Lineman	\$ _____	\$ _____
	1040 hrs.	Third Class Lineman	\$ _____	\$ _____
	1040 hrs.	Line Truck Operator	\$ _____	\$ _____
	1040 hrs.	Line Truck	\$ _____	\$ _____
	1040 hrs.	Bucket Truck	\$ _____	\$ _____
	1040 hrs.	Crew Cab	\$ _____	\$ _____
	40 hrs.	Puller/Tensioner	\$ _____	\$ _____
		TOTAL		\$ _____
		<u>Complete and Check All Math:</u> It is the responsibility of the Bidder to extend unit prices and supply a total for all items.		

Vendor Name: _____

GREENVILLE UTILITIES REQUEST FOR QUOTATION

OVERHEAD ELECTRIC CONSTRUCTION CREW (STORM RATES)

PROPOSAL FORM

The undersigned bidder hereby declares that he has carefully examined the enclosed detailed Specifications for the furnishing of Greenville Utilities with an overhead electric construction crew. The undersigned bidder further agrees, if this proposal be accepted within thirty (30) days from the date of the opening, to consummate the contract within 10 days after acceptance.

ITEM NO.	QUANTITY	DESCRIPTION	UNIT HR PRICE	EXTENSION
I		OH ELECTRIC CONSTRUCTION CREW (STORM RATES)		
	1040 hrs.	Crew Leader	\$ _____	\$ _____
	1040 hrs.	First Class Lineman	\$ _____	\$ _____
	1040 hrs.	Second Class Lineman	\$ _____	\$ _____
	1040 hrs.	Third Class Lineman	\$ _____	\$ _____
	1040 hrs.	Line Truck Operator	\$ _____	\$ _____
	1040 hrs.	Line Truck	\$ _____	\$ _____
	1040 hrs.	Bucket Truck	\$ _____	\$ _____
	1040 hrs.	Crew Cab	\$ _____	\$ _____
	40 hrs.	Puller/Tensioner	\$ _____	\$ _____
		TOTAL		\$ _____
		<u>Complete and Check All Math:</u> It is the responsibility of the Bidder to extend unit prices and supply a total for all items.		

Vendor Name:

STORM/EMERGENCY POLICY

Please include/attach your company policy as it would pertain to service(s) provided in the event of storms, hurricanes, tornadoes, etc. in regard to this RFB.

[Balance of page left blank intentionally]

GREENVILLE UTILITIES COMMISSION

GREENVILLE, NORTH CAROLINA

OVERHEAD ELECTRIC CONSTRUCTION CREW

EXCEPTION/VARIATION FORM

Provider's Certification: This is to certify that it is our intent to furnish equipment, material, services, etc. in absolute compliance with the bid specification except where expressly noted below.

Instructions: List all exceptions or variations to these bid specifications. Providers shall identify each exception or variation by specification page. The omission of exception or variation information shall be deemed by the Commission as the Provider's intent to absolutely comply with the bid specification. If additional space is required, Provider may reproduce this form as necessary.

<u>Page #</u>	<u>Exception/Variation</u>
_____	_____
_____	_____
_____	_____
_____	_____
_____	_____
_____	_____
_____	_____
_____	_____
_____	_____
_____	_____
_____	_____
_____	_____

Authorized Signature of Certification: _____
Print Name: _____
Firm Represented: _____
Address: _____

Letter of Compliance to E-Verify for Greenville Utilities Commission

1. I have submitted a bid for contract or desire to enter into a contract with the Greenville Utilities Commission;
2. As part of my duties and responsibilities pursuant to said bid and/or contract, I affirm that I am aware of and in compliance with the requirements of E-Verify, Article 2 of Chapter 64 of the North Carolina General Statutes, to include (mark which applies):

3. ____ After hiring an employee to work in the United States I verify the work authorization of said employee through E-Verify and retain the record of the verification of work authorization while the employee is employed and for one year thereafter; or
4. ____ I employ less than fifteen (15) employees in the State of North Carolina.

5. As part of my duties and responsibilities pursuant to said bid and/or contract, I affirm that to the best of my knowledge and subcontractors employed as a part of this bid and/or contract, are in compliance with the requirements of E-Verify, Article 2 of Chapter 64 of the North Carolina General Statutes, to include (mark which applies):

6. ____ After hiring an employee to work in the United States the subcontractor verifies the work authorization of said employee through E-Verify and retains the record of the verification of work authorization while the employee is employed and for one year thereafter; or
7. ____ Employ less than fifteen (15) employees in the State of North Carolina.

Specify subcontractor: _____

_____ (Company Name)

By: _____ (Typed Name)

_____ (Authorized Signatory)

_____ (Title)

_____ (Date)

Iran Divestment Act Certification

RFP Number (if applicable): _____

Name of Vendor or Bidder: _____

**IRAN DIVESTMENT ACT CERTIFICATION
REQUIRED BY N.C.G.S. 143C-6A-5(a)**

As of the date listed below, the vendor or bidder listed above is not listed on the Final Divestment List created by the State Treasurer pursuant to N.C.G.S. 143-6A-4.

The undersigned hereby certifies that he or she is authorized by the vendor or bidder listed above to make the foregoing statement.

Signature	Date
-----------	------

Printed Name	Title
--------------	-------

Notes to persons signing this form:

N.C.G.S. 143C-6A-5(a) requires this certification for bids or contracts with the State of North Carolina, a North Carolina local government, or any other political subdivision of the State of North Carolina. The certification is required at the following times:

- When a bid is submitted
- When a contract is entered into (if the certification was not already made when the vendor made its bid)
- When a contract is renewed or assigned

N.C.G.S. 143C-6A-5(b) requires that contractors with the State, a North Carolina local government, or any other political subdivision of the State of North Carolina must not utilize any subcontractor found on the State Treasurer's Final Divestment List.

The State Treasurer's Final Divestment List can be found on the State Treasurer's website at the address www.nctreasurer.com/iran and will be updated every 180 days.

Holiday Schedule
MEMORANDUM

TO: All Employees
DATE: August 1, 2017
SUBJECT: 2018 HOLIDAY SCHEDULE

The following holidays will be observed by the City of Greenville and Greenville Utilities Commission during 2018:

New Year's	Monday, January 1, 2018
Martin Luther King, Jr. Day	Monday, January 15, 2018
Good Friday	Friday, March 30, 2018
Memorial Day	Monday, May 28, 2018
Independence Day	Wednesday, July 4, 2018
Labor Day	Monday, September 3, 2018
Veterans Day	Monday, November 12, 2018
Thanksgiving	Thursday, November 22, 2018 Friday, November 23, 2018
Christmas	Monday, December 24, 2018 Tuesday, December 25, 2018 Wednesday, December 26, 2018
New Year's (2019)	Tuesday, January 1, 2019

For 2018, the "floating holiday" has been designated as Wednesday, December 26.

This information is being provided now in order to allow you to make personal plans for the use of the holidays.



Ann E. Wall
City Manager



Anthony C. Cannon
GUC General Manager/CEO

SECTION III

TERMS AND CONDITIONS FOR SERVICES AGREEMENT

These Terms and Conditions, made and entered into on this the ____ day of _____, by and between GREENVILLE UTILITIES COMMISSION OF THE CITY OF GREENVILLE, PITT COUNTY, NORTH CAROLINA, with one of its principal offices and places of business at 401 S. Greene Street, Post Office Box 1847, Greenville, Pitt County, North Carolina 27835-1847, hereinafter referred to as "GUC" and _____, a _____ organized and existing under and by virtue of the laws of the State of _____, with one of its principal offices and places of business at _____, hereinafter referred to as "PROVIDER";

1.0 TAXES

No taxes shall be included in any bid prices. GUC is exempt from Federal Excise Tax. GUC is not exempt from North Carolina state sales and use tax or, if applicable, Pitt County sales and use tax. Such taxes shall be shown as a separate item on the invoice.

2.0 INVOICES

It is understood and agreed that orders will be shipped at the established contract prices and quantities in effect on dates orders are placed. Invoicing at variance with this provision may subject the contract to cancellation. Applicable North Carolina sales tax shall be invoiced as a separate line item. All invoices must bear the GUC purchase order number. Mail all invoices to Greenville Utilities Commission, Finance Department, P. O. Box 1847, Greenville, NC 27835-1847.

3.0 PAYMENT TERMS

Payments for equipment, materials, or supplies will be made after the receipt and acceptance of the equipment, materials, or supplies and after submission of a proper invoice. GUC's normal payment policy is thirty (30) days. GUC will not be responsible for any goods delivered without a purchase order having been issued. Payment will be made in U. S. currency only.

4.0 QUANTITIES

Quantities specified are only estimates of GUC's requirements. GUC reserves the right to purchase more or less than the stated quantities at prices indicated in the submitted Proposal Form based on our actual needs.

5.0 AFFIRMATIVE ACTION

The Provider will take affirmative action in complying with all Federal and State requirements concerning fair employment and employment of the handicapped, and concerning the treatment of all employees, without discrimination by reason of race, color, religion, sex, national origin, or physical handicap.

6.0 CONDITION AND PACKAGING

Unless otherwise indicated in the bid, it is understood and agreed that any item offered or shipped shall be new and in first class condition, that all containers shall be new and suitable for storage or shipment, and that prices include standard commercial packaging.

7.0 SAMPLES

Samples of items, if required, must be furnished free of expense to GUC, and if not destroyed, will, upon request, be returned at the Provider's expense. Request for the return of samples must be made at the bid opening, otherwise, the samples will become GUC's property. Each individual sample must be labeled with Provider's name.

8.0 SPECIFICATIONS

Any deviation from specifications must be clearly pointed out, otherwise, it will be considered that items offered are in strict compliance with specifications, and the Provider will be held responsible. Deviations must be explained in detail. **The Provider shall not construe this paragraph as inviting deviation or implying that any deviation will be acceptable.**

9.0 INFORMATION AND DESCRIPTIVE LITERATURE

Providers are to furnish all information requested. Further, as may be specified elsewhere, each Provider must submit with its proposal: cuts, sketches, descriptive literature, and/or complete specifications covering the products offered. Reference to literature submitted with a previous bid does not satisfy this provision. Bids which do not comply with these requirements will be subject to rejection.

10.0 AWARD OF CONTRACT

As directed by statute, qualified bids will be evaluated and acceptance made of the lowest responsible, responsive bid most advantageous to GUC as determined upon consideration of such factors as prices offered, the quality of the article(s) offered, the general reputation and performance capabilities of the Provider, substantial conformity with the specifications and other conditions set forth in the bid, the suitability of the article(s) for the intended use, the related services needed, the date(s) of delivery and performance, and such other factors deemed by GUC to be pertinent or peculiar to the purchase in question.

Acceptance of the order includes acceptance of all terms, conditions, prices, delivery instructions, and specifications as shown on this set of Terms and Conditions and in this order or attached to and made a part of this order.

The conditions of this order cannot be modified except by written amendment in the form of "Amended Purchase Order," which has been approved by GUC's Purchasing Buyer II.

In the event of a Provider's failure to deliver or perform as specified, GUC reserves the right to cancel the order or any part thereof, without prejudice to GUC's other rights. The Provider agrees that GUC may return part of or all of any shipment at Provider's expense. GUC may charge the Provider with all reasonable expenses resulting from such failure to deliver or perform.

11.0 MEDIATION/BINDING ARBITRATION

In the event of any dispute between the Parties, the Parties agree to submit any dispute to non-binding mediation before a mutually agreeable Mediator prior to initiating litigation. If the Parties are unable to agree upon a Mediator within thirty (30) days after demand therefore, either Party may petition a Court of competent jurisdiction for the designation of a qualified Mediator for these purposes. Each Party shall bear its own costs and expenses of participating in the mediation (including, without limitation, reasonable attorneys' fees), and each Party shall bear one-half (1/2) of the costs and expenses of the Mediator. Unless otherwise agreed, the Parties will hold the mediation in Greenville, North Carolina. The matters discussed or revealed in the mediation session shall not be disclosed in any subsequent litigation.

In the event the matter is not resolved in mediation, either Party may request arbitration. The parties shall jointly select an Arbitrator, and shall be bound by the decision of the Arbitrator with respect to any dispute between the parties with respect to this Agreement. If the parties are unable to mutually agree upon an Arbitrator, the Parties shall each select an Arbitrator, and the two Arbitrators so selected shall select a third Arbitrator, and the decision of the majority of the Arbitrators shall be conclusive and binding upon the Parties. The Parties at all times agree to equally split the costs of any Arbitrator(s) selected in an effort to resolve the dispute between the Parties. Any party desiring to resolve a dispute under the terms of this Agreement shall notify the other Party in writing, and the Parties shall seek to agree upon a mutually agreed-upon Arbitrator within a period of ten (10) days from the date of such written demand. If the Parties are unable to agree within such ten (10) day period, the Parties shall each select an Arbitrator, and the two (2) Arbitrators so selected shall select a third Arbitrator within fifteen (15) days from the date of the written demand for arbitration, and a decision shall be rendered by the Arbitrator(s) so selected within five (5) days after such Arbitrator(s) is selected.

12.0 GOVERNMENT RESTRICTIONS

In the event any Governmental restrictions may be imposed which would necessitate alteration of the material, quality, workmanship, or performance of the items offered on this bid prior to their delivery, it shall be the responsibility of the successful Provider to notify the GUC Purchasing Buyer II, at once, indicating in its letter the specific regulation which required such alterations. GUC reserves the right to accept any such alterations, including any price adjustments occasioned thereby, or, in the sole discretion of GUC, to cancel the contract.

13.0 INSURANCE

13.1 Coverage – During the term of the contract, the Provider at its sole cost and expense shall provide commercial insurance of such type and with the following coverage and limits:

13.1.1 Workers' Compensation – The Provider shall provide and maintain Workers' Compensation Insurance, as required by the laws of North Carolina, as well as employer's liability coverage with minimum limits of \$1,000,000 each accident, covering all Provider's employees who are engaged in any work under the contract. If any work is sublet, the Provider shall require the subcontractor to provide the same coverage for any of its employees engaged in any work under the contract.

13.1.2 General Liability – Commercial Liability Coverage written on an “occurrence” basis in the minimum amount of \$1,000,000 per occurrence.

13.1.3 Automobile – Automobile Liability Insurance, to include coverage for all owned, hired, and non-owned vehicles used in connection with the contract with a minimum combined single limit of \$1,000,000 per accident.

13.2 Requirements - Providing and maintaining adequate insurance coverage is a material obligation of the Provider. All such insurance shall meet all laws of the State of North Carolina. Such insurance coverage shall be obtained from companies that are authorized to provide such coverage and that are authorized to do business in North Carolina by the Commissioner of Insurance. The Provider shall at all times comply with the terms of such insurance policies and all requirements of the insurer under any of such insurance policies, except as they may conflict with existing North Carolina laws or this contract. The limits of coverage under each insurance policy maintained by the Provider shall not be interpreted as limiting the Provider’s liability and obligations under the contract. It is agreed that the coverage as stated shall not be canceled or changed until thirty (30) days after written notice of such termination or alteration has been sent by registered mail to GUC’s Purchasing Buyer II.

14.0 PATENTS AND COPYRIGHTS

The Provider shall hold and save GUC, its officers, agents, and employees, harmless from liability of any kind, including costs and expenses, including reasonable attorney fees, on account of any copyrighted articles or any patented or unpatented invention, device or appliance manufactured or used in the performance of this contract.

15.0 PATENT AND COPYRIGHT INDEMNITY

The Provider will defend or settle, at its own expense, any action brought against GUC to the extent that it is based on a claim that the product(s) provided pursuant to this agreement infringe any U.S. copyright or patent; and will pay those costs, damages, and attorney fees finally awarded against GUC in any such action attributable to any such claim, but such defense, settlements, and payments are conditioned on the following: (1) that Provider shall be notified

promptly in writing by GUC of any such claim; (2) that Provider shall have sole control of the defense of any action on such claim and of all negotiations for its settlement or compromise; (3) that GUC shall cooperate with Provider in a reasonable way to facilitate the settlement of defense of such claim; (4) that such claim does not arise from GUC modifications not authorized by the Provider or from the use of combination of products provided by the Provider with products provided by GUC or by others; and (5) should such product(s) become, or in the Provider’s opinion likely to become, the subject of such claim of infringement, then GUC shall permit Provider, at Provider’s option and expense, either to procure for GUC the right to continue using the product(s), or replace or modify the same so that it becomes non-infringing and performs in a substantially similar manner to the original product.

16.0 EXCEPTIONS

All proposals are subject to the terms and conditions outlined herein. All responses will be controlled by such terms and conditions and the submission of other terms and conditions, price catalogs, and other documents as part of a Provider's response will be waived and have no effect on this Request for Proposal or any other contract that may be awarded resulting from this solicitation. The submission of any other terms and conditions by a Provider may be grounds for rejection of the Provider's proposal. The Provider specifically agrees to the terms and conditions set forth in this set of Terms and Conditions by affixing its name on the signatory page contained herein.

17.0 CONFIDENTIAL INFORMATION

Except as provided by statute and rule of law, GUC will keep trade secrets which the Provider does not wish disclosed confidential. Each page shall be identified in boldface at the top and bottom as "CONFIDENTIAL" by the Provider. Cost information shall not be deemed confidential. The determination of whether a matter is confidential will be determined by North Carolina law.

18.0 ASSIGNMENT

No assignment of the Provider's obligations or the Provider's right to receive payment hereunder shall be permitted without the express written consent of GUC, provided however, upon written request approved by the GUC Purchasing Buyer II, solely as a convenience to the Provider, GUC may:

- Forward the Provider's payment check directly to any person or entity designated by the Provider, and
- Include any person or entity designated by Provider as a joint payee on the Provider's payment check.
- In no event shall such approval and action obligate GUC to anyone other than the Provider, and the Provider shall remain responsible for fulfillment of all contract obligations.

19.0 ACCESS TO PERSON AND RECORDS

GUC shall have reasonable access to persons and records of Provider as a result of all contracts entered into by GUC.

20.0 INSPECTION AT BIDDER'S SITE

GUC reserves the right to inspect, at a reasonable time, the item, plant, or other facilities of a prospective Provider prior to contract award and during the contract term as necessary for GUC's determination that such item, plant, or other facilities conform with the specifications/requirements and are adequate and suitable for the proper and effective performance of the contract. Provider may limit GUC's access to restricted areas.

21.0 AVAILABILITY OF FUNDS

Any and all payments of compensation of this specific transaction and any continuation or any renewal or extension are dependent upon and subject to the allocation of GUC funds for the purpose set forth in this Agreement.

22.0 GOVERNING LAWS

All contracts, transactions, agreements, etc., are made under and shall be governed by and construed in accordance with the laws of the State of North Carolina.

23.0 ADMINISTRATIVE CODE

Bids, proposals, and awards are subject to applicable provisions of the North Carolina Administrative Code and General Statutes and Laws of the State of North Carolina.

24.0 EXECUTION

In the discretion of GUC, failure of a duly authorized official of Provider to sign the Signatory Page may render the bid invalid.

25.0 CLARIFICATIONS/INTERPRETATIONS

Any and all questions regarding these Terms and Conditions must be addressed to the GUC Purchasing Buyer II. Do not contact the user directly. **These Terms and Conditions are a complete statement of the parties' agreement and may only be modified in writing signed by Provider and the GUC Purchasing Buyer II.**

26.0 SITUS

The place of all contracts, transactions, agreements, their situs and forum, shall be North Carolina, where all matters, whether in contract or tort, relating to the validity, construction, interpretation, and enforcement shall be determined.

27.0 TERMINATION OF AGREEMENT

GUC or Provider may terminate this Agreement for just cause at any time. Provider will be paid for all time and expenses incurred as of the termination date. Termination for just cause by either party shall be by certified letter and shall be effective thirty (30) days after signed and acknowledged receipt of said letter. Just cause shall be based on reasonable grounds, and there must be a fair and honest cause or reason for such action. The causes for termination, include, but are not limited to: (1) Provider's persistent failure to perform in accordance with the Terms and Conditions, (2) Provider's disregard of laws and regulations related to this transaction, and/or (3) Provider's substantial violation of the provisions of the Terms and Conditions.

28.0 DELIVERY

Shipments will be made only upon releases from a purchase order issued by GUC in accordance with GUC's current needs. Time is of the essence with respect to all deliveries under this Agreement.

Delivery of all equipment, materials, or supplies shall be made Free on Board (FOB) GUC Warehouse, 801 Mumford Road, Greenville, North Carolina 27834, unless otherwise specified. The agreed price for such equipment, materials, or supplies shall include all costs of delivery and ownership, and risks of loss shall not be transferred from Provider to GUC until express written acceptance of delivery and inspection by GUC. Delivery hours are between 8:00 AM and 4:30 PM Monday-Friday only. **GUC's purchase order number is to be shown on the packing slip or any related documents.** GUC reserves the right to refuse or return any delivery with no purchase order number or which is damaged. GUC will not be charged a restocking fee for any delivery which is refused or returned.

29.0 INDEMNITY PROVISION

Provider agrees to indemnify and save GREENVILLE UTILITIES COMMISSION of the City of Greenville, Pitt County, North Carolina, and the City of Greenville, North Carolina, its co-owners, joint venturers, agents, employees, and insurance carriers harmless from any and all losses, claims, actions, costs, expenses including reasonable attorney fees, judgments, subrogations, or other damages resulting from injury to any person (including injury resulting in death), or damage (including loss or destruction) to property of whatsoever nature of any person arising out of or incident to the performance of the terms of this Contract by Provider, including, but not limited to, Provider's employees, agents, subcontractors, and others designated by Provider to perform work or services in, about, or attendant to, the work and services under the terms of this Contract. Provider shall not be held responsible for any losses, expenses, claims, subrogations, actions, costs, judgments, or other damages, directly, solely, and proximately caused by the negligence of Greenville Utilities Commission of the City of Greenville, Pitt County, North Carolina. Insurance covering this indemnity agreement by the Provider in favor of Greenville Utilities Commission of the City of Greenville, Pitt County, North Carolina, and the City of Greenville, North Carolina, shall be provided by Provider.

30.0 FORCE MAJEURE

Neither party shall be considered in default in the performance of its obligations hereunder to the extent that the performance of any such obligation is prevented or delayed by any cause, existing or future, which is beyond the reasonable control of such party. In any such event of force majeure, the parties shall advise each other of such event, and the parties shall negotiate an equitable adjustment to their respective obligations under this Agreement.

31.0 WARRANTY(IES)

The Provider hereby includes all warranties, whether expressed or implied, including, but not limited to, the Implied Warranty of Merchantability and the Implied Warranty of Fitness for a Particular Purpose.

32.0 INTEGRATED CONTRACT

These Terms and Conditions, Instructions to Bidders, Specifications, and the selected Provider's bid represents the entire contract between the Parties. No verbal or other written agreement(s) shall be held to vary the provisions of this Agreement.

33.0 CONTRACT PROVISIONS

Each of the provisions of these Terms and Conditions shall apply to the full extent permitted by law, and the invalidity in whole or in part of any provision shall not affect the remainder of such provision or any other provisions.

34.0 E-VERIFY

E-Verify - I understand that E-Verify is the federal E-Verify program operated by the United States Department of Homeland Security and other federal agencies, or any successor or equivalent program used to verify the work authorization of newly hired employees pursuant to federal law in accordance with NCGS §64-25 et seq. I am aware of and in compliance with the requirements of E-Verify and Article 2 of Chapter 64 of the North Carolina General Statutes. To the best of my knowledge, any subcontractors employed by me as a part of this contract are in compliance with the requirements of E-Verify and Article 2 of Chapter 64 of the North Carolina General Statutes.

35.0 IRAN DIVESTMENT ACT CERTIFICATION

By acceptance of this purchase order, Vendor/Contractor certifies that, as of the date of the purchase order or contract, it is not on the Final Divestment List as created by the State Treasurer pursuant to N.C.G.S. § 143-6A-4. In compliance with the requirements of the Iran Divestment Act and N.C.G.S. § 143C-6A-5(b), Vendor/Contractor shall not utilize in the performance of the contract any subcontractor that is identified on the Final Divestment List.

36.0 NOTICES

Notices to the Parties should be sent to the names and addresses specified below:

Cleve Haddock, CLGPO
Procurement Coordinator
Greenville Utilities Commission
P.O. Box 1847
Greenville, NC 27835-1847

Vendor Specified on Page 1 of Section III when awarded.

GREENVILLE UTILITIES COMMISSION

By: _____
Anthony C. Cannon

Title: General Manager/CEO
(Authorized Signatory)

Date: _____

Attest: _____

Name (Print): Amy Wade

Title: Executive Secretary

Date: _____

(OFFICIAL SEAL)

COMPANY NAME:

By: _____

Name (Print): _____

Title: _____
(Authorized Signatory)

Date: _____

Attest: _____

Name (Print): _____

Title: Corporate Secretary

Date: _____

(CORP. SEAL)

This instrument has been pre-audited in the manner required by the Local Government Budget and Fiscal Control Act.

By: _____
Jeff W. McCauley

Title: Chief Financial Officer

Date: _____

APPROVED AS TO FORM AND LEGAL CONTENT:

By: _____
Phillip R. Dixon

Title: General Counsel

Date: _____