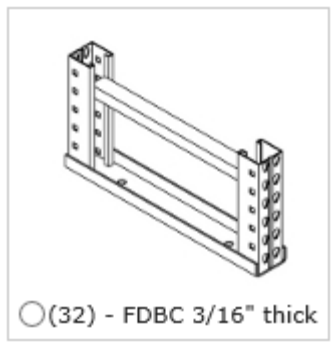


GREENVILLE UTILITIES COMMISSION

QUESTIONS AND ANSWERS II FOR PALLET RACKS, SHELVES AND INSTALLATION

#20-18, DUE, MARCH 25, 2020 UNTIL 3:00 PM (EDST)

1. In the description provided in your packet for the base plates , there is not a side profile to view. My rack supplier is wondering if the following type of base plate would work (this example does not have the bullnose included):



If not, then we should be able to make the flat plates work.

Answer:

A continuous base plate would be ok as long as when they shim there are no voids between the continuous baseplate and the floor.

That being said, there are issues with the image they sent:

- The base plate needs to have a minimum thickness of $\frac{1}{4}$ ".**
- The baseplate under the bullnose must be one continuous base plate for the front upright and the attached bullnose.**
- The image does not have a heavy horizontal transfer bar shown**
- The image appears to only provide one anchor hole near each upright**