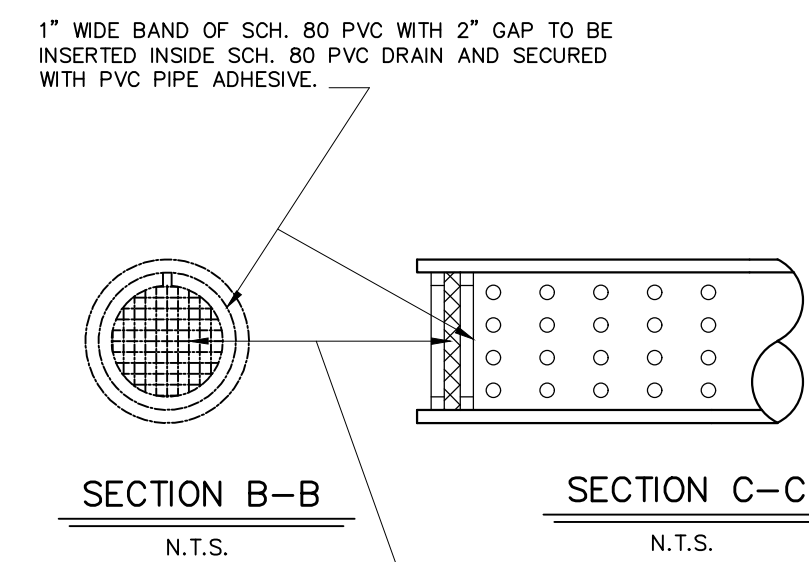
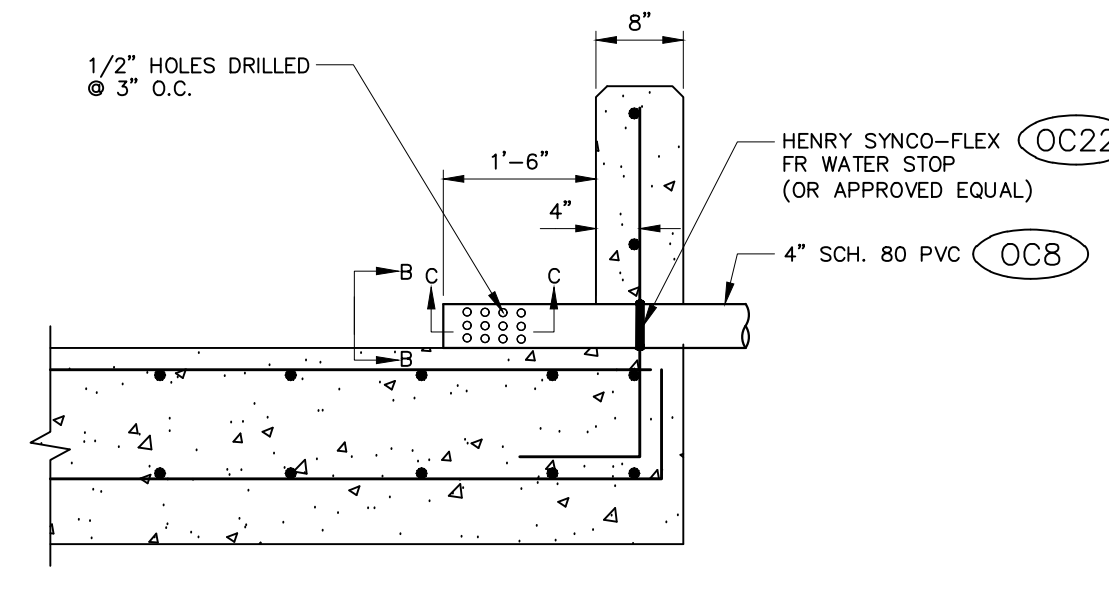


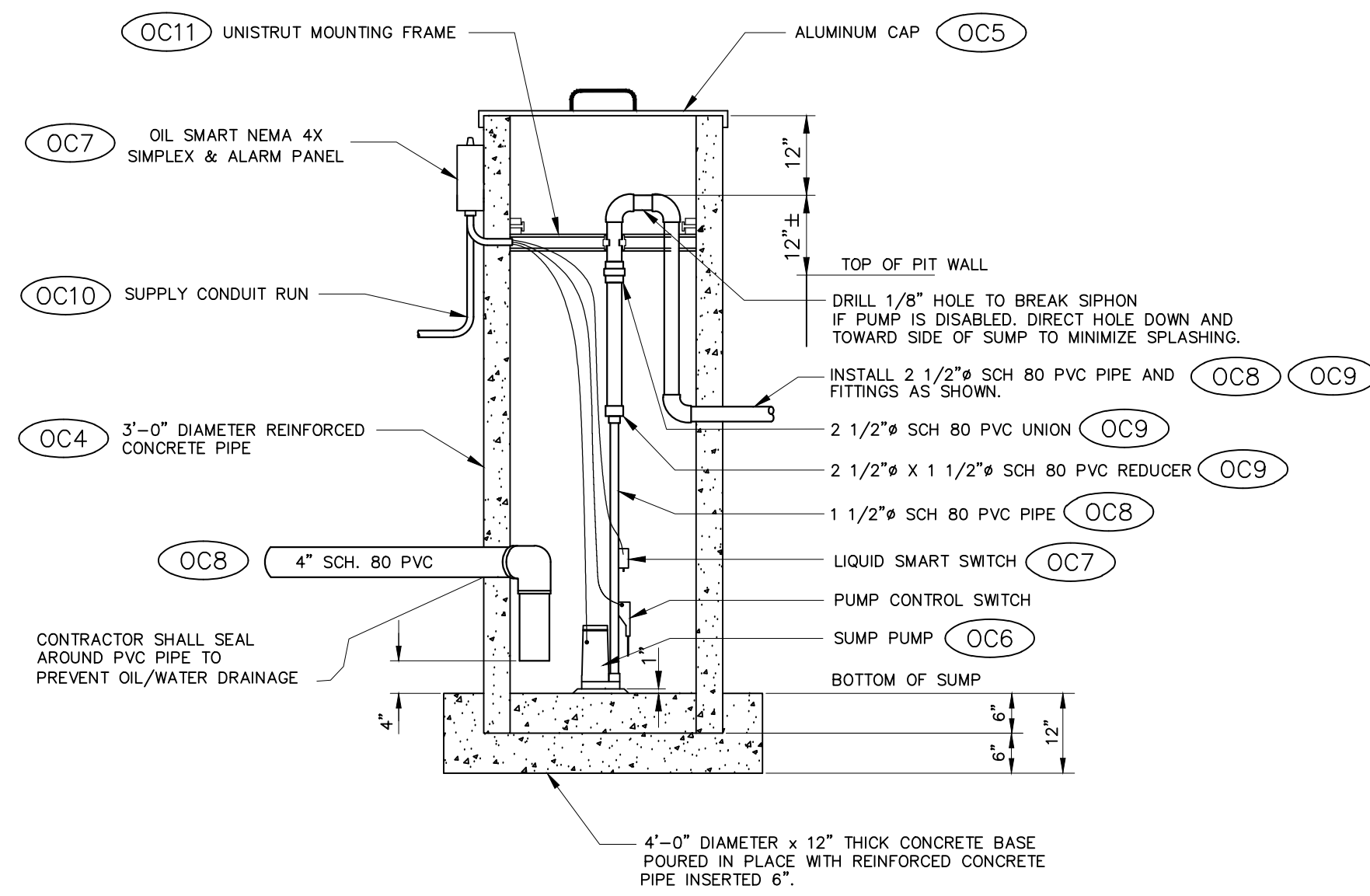
DETAIL No. 1
BASIN OUTLET
N.T.S.



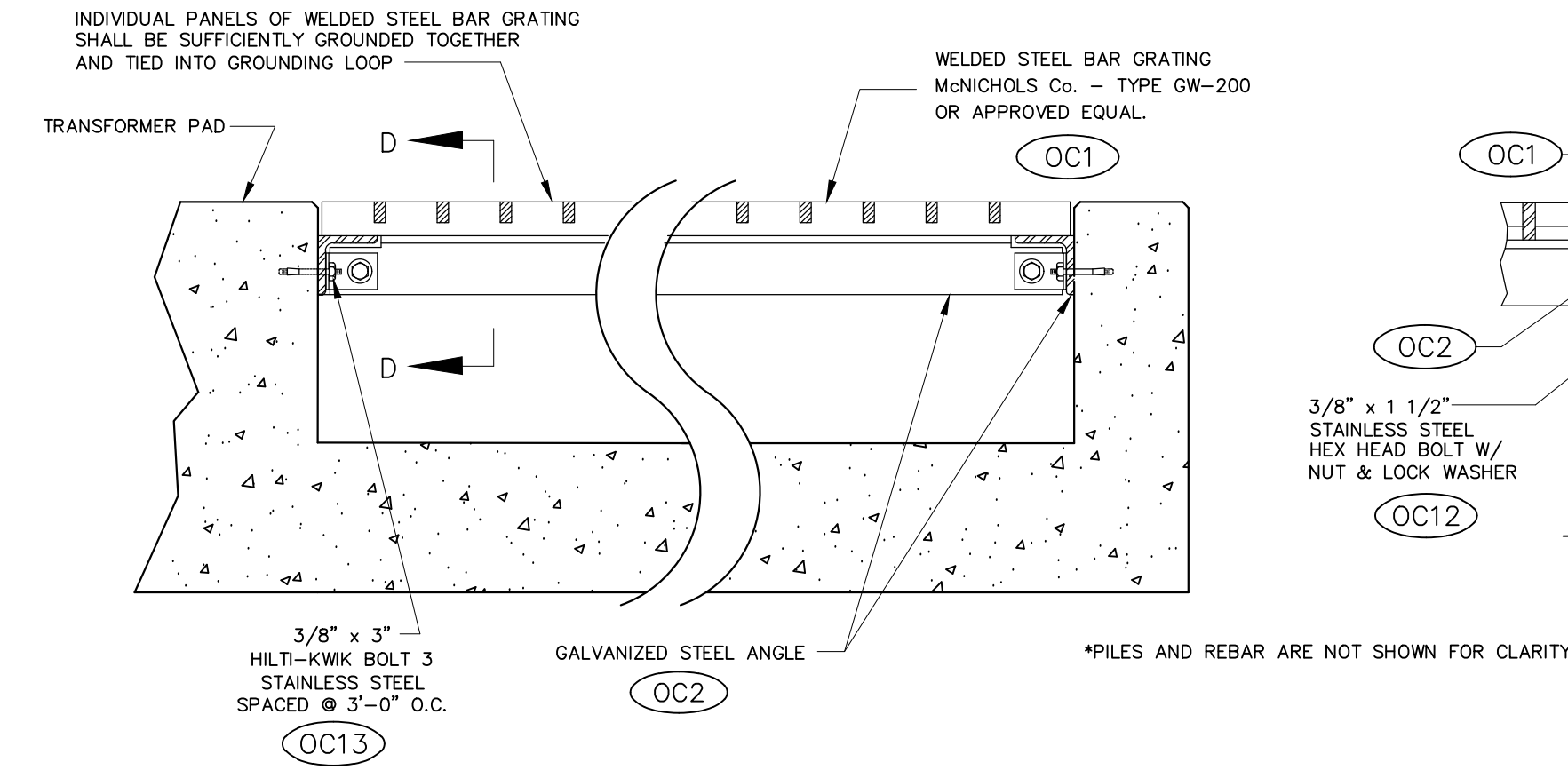
DETAIL No. 1
BASIN OUTLET-ALTERNATE DESIGN
N.T.S.



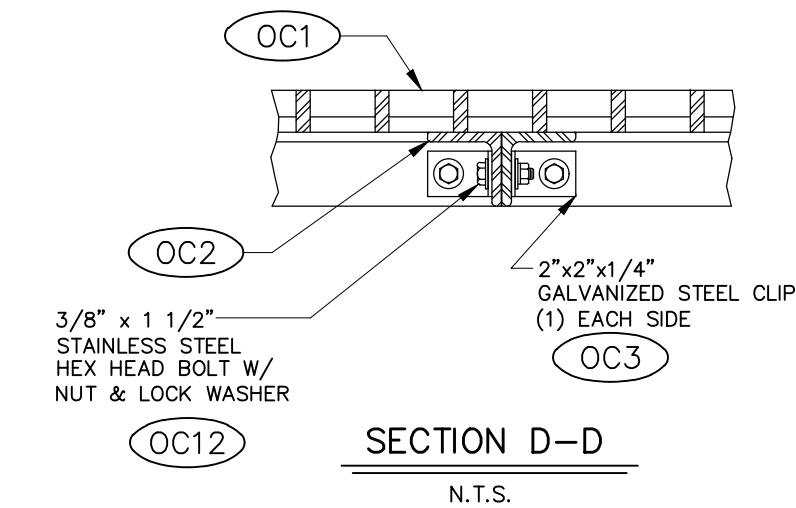
*PILES ARE NOT SHOWN FOR CLARITY.



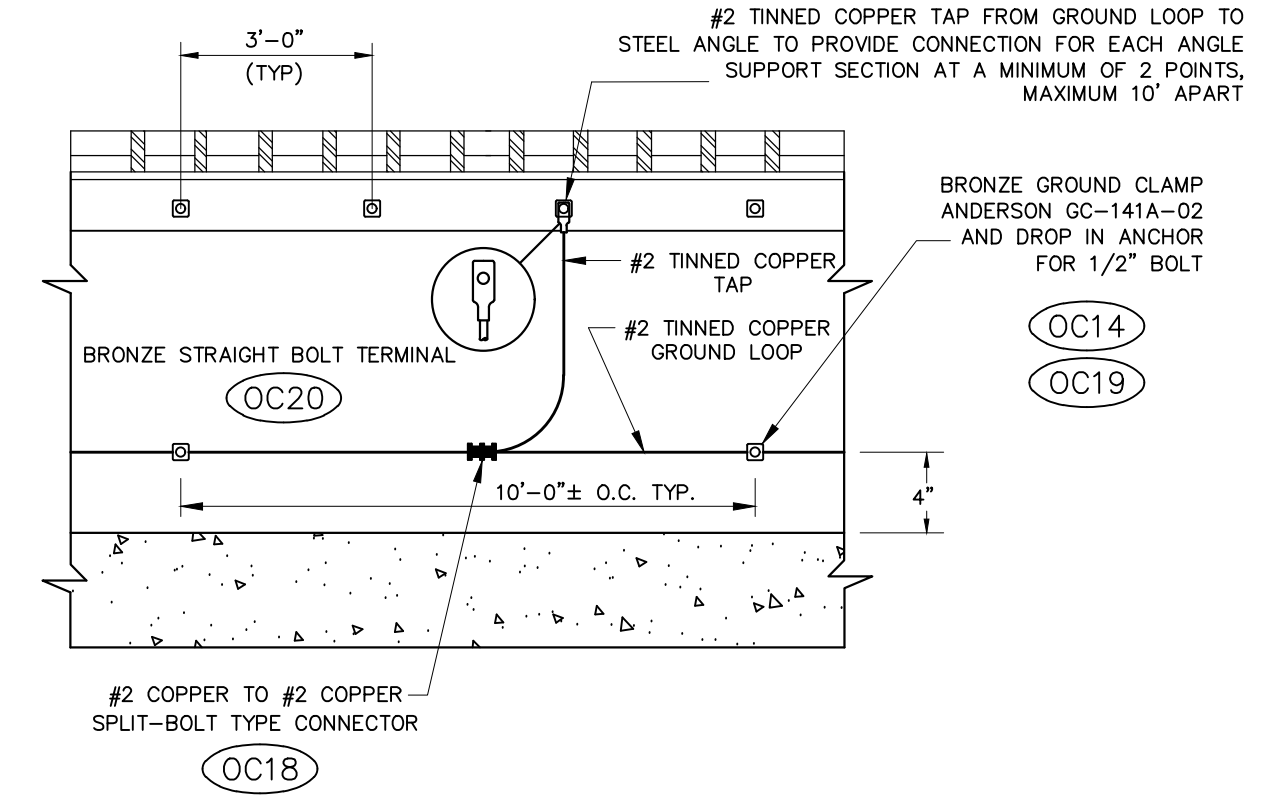
DETAIL No. 2
SUMP PUMP/OIL SENSING DEVICE
N.T.S.



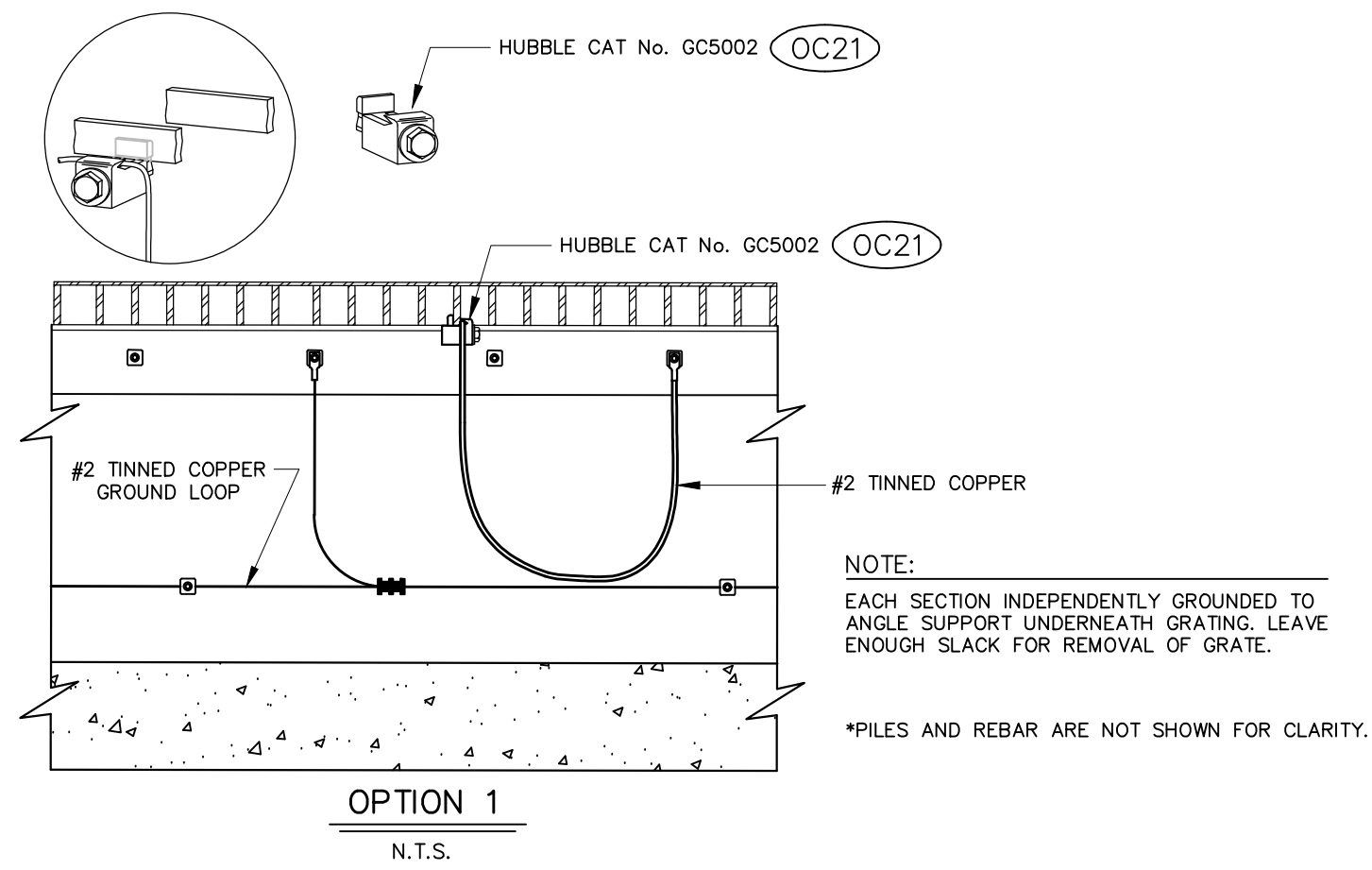
DETAIL No. 3
STEEL BAR GRATING ATTACHMENT TO WALLS & PIERS
N.T.S.



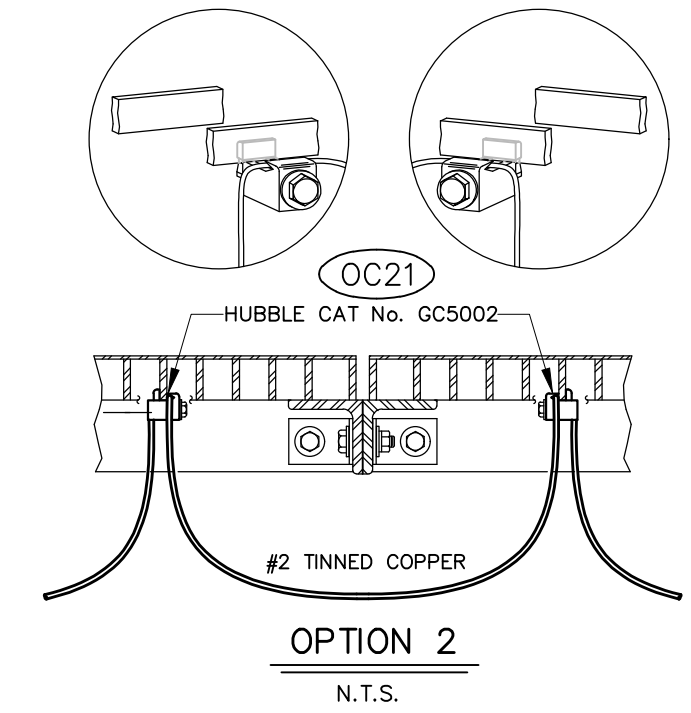
SECTION D-D
N.T.S.



DETAIL No. 4
STEEL ANGLE GROUNDING ATTACHMENT DETAIL
N.T.S.



OPTION 1
N.T.S.



OPTION 2
N.T.S.

DETAIL No. 5
STEEL BAR GRATING ATTACHMENT DETAIL
N.T.S.

NOTE:
EACH SECTION DAISEY CHAINED UNDERNEATH GRATING. TIE INTO GROUND GRID IN OIL CONTAINMENT PIT.

REFERENCES:

FOUNDATION PLAN	14020	FP1 OF 1
OIL CONTAINMENT SYSTEM PLAN	14020	OC1 OF 3
OIL CONTAINMENT SYSTEM SECTIONS	14020	OC2 OF 3

	GREENVILLE UTILITIES GREENVILLE, NORTH CAROLINA	
	GREENVILLE WEST 230kV TO 115kV SUBSTATION OIL CONTAINMENT SYSTEM DETAILS	
Booth & Associates, LLC <small>1815 Columbia Avenue, Raleigh, NC 27603</small>		
11/28/2018	DWN. AG	DATE: 11/28/18
0	ISSUED FOR BIDS	11/28/18
NO.	REVISIONS	DATE
© 11/18	SCALE: AS NOTED	PLOT:
	CKD. RSD	APPD. MJM
		DWG. NO. OC3
		14020OC