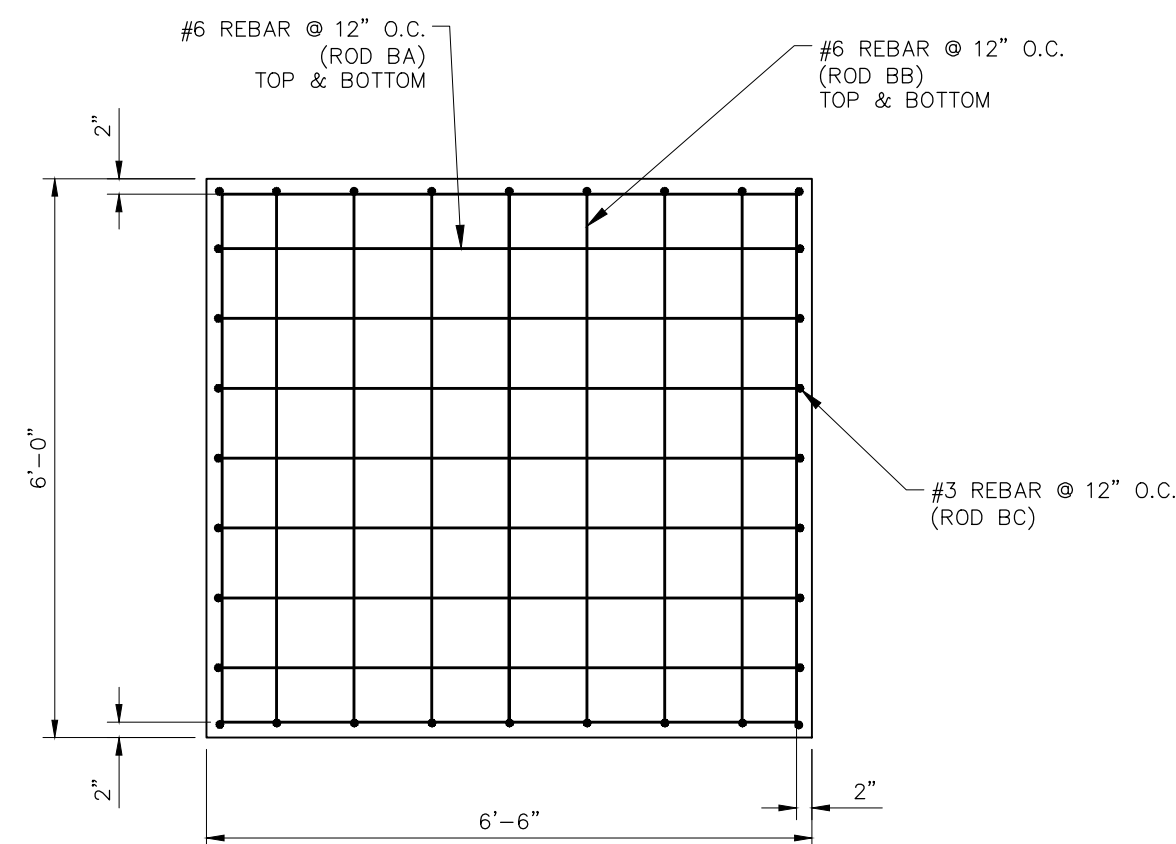
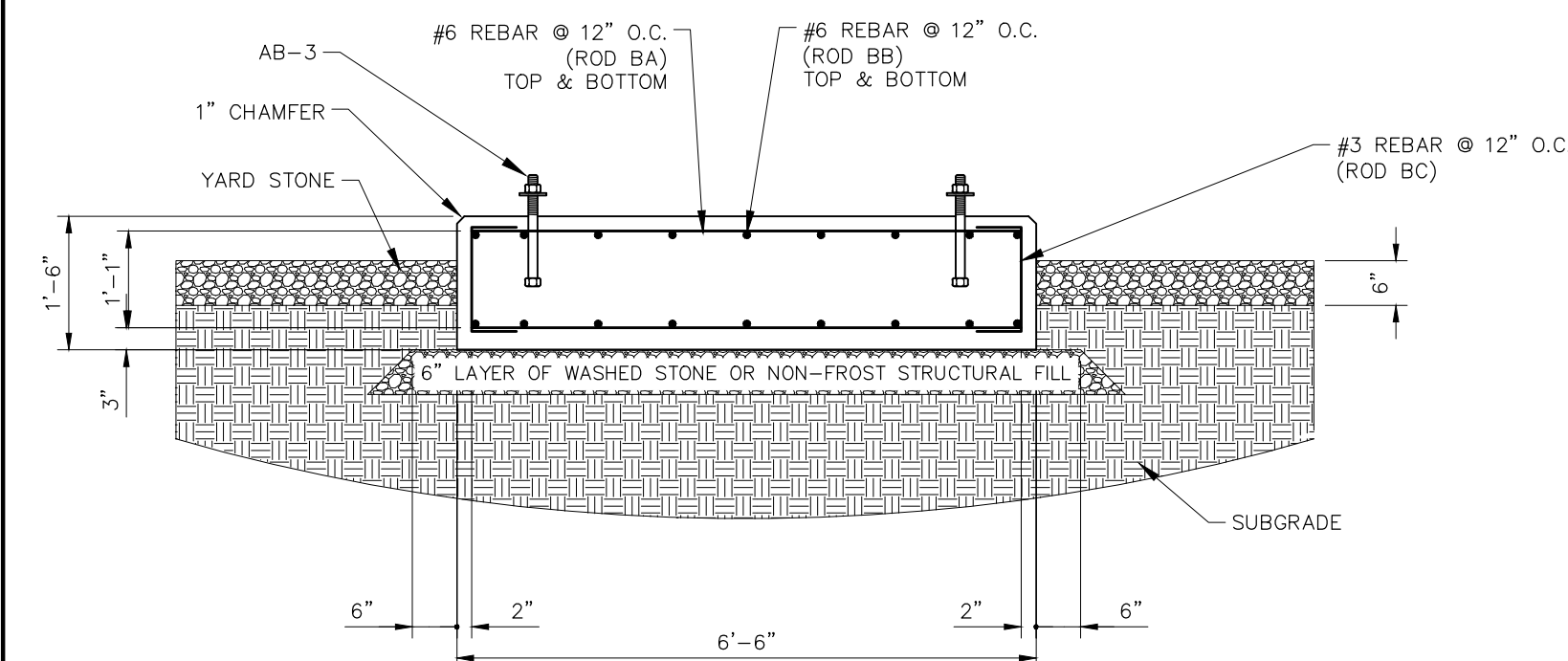


ANCHOR BOLT PLAN F

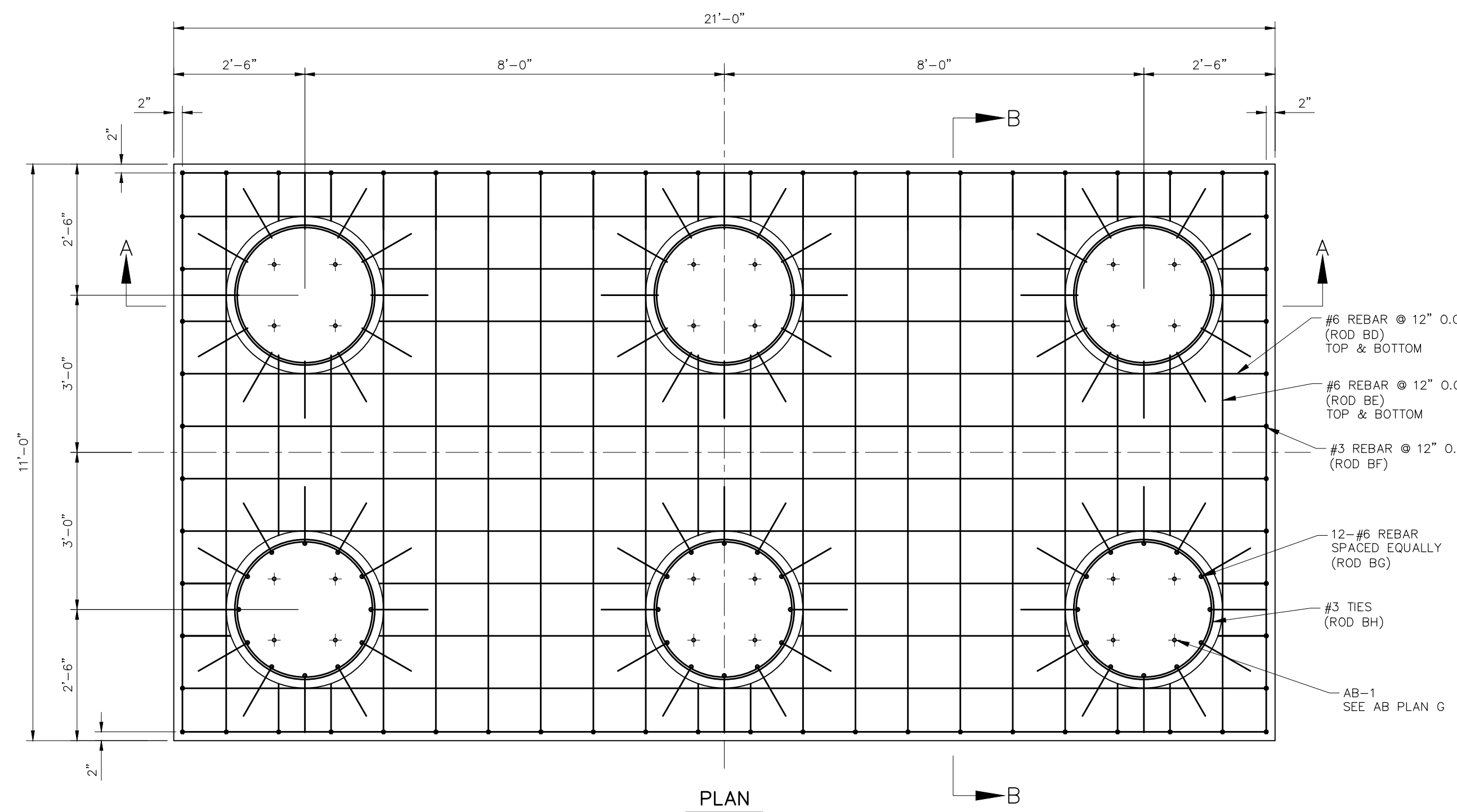


PLAN

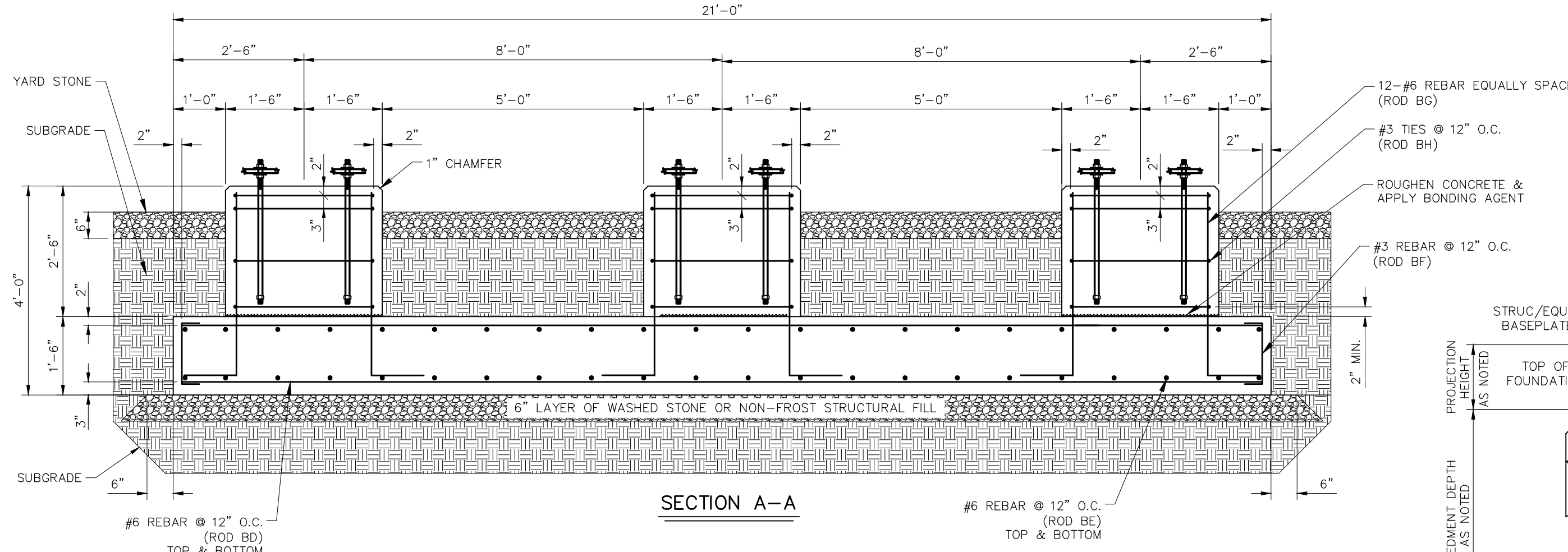


SECTION

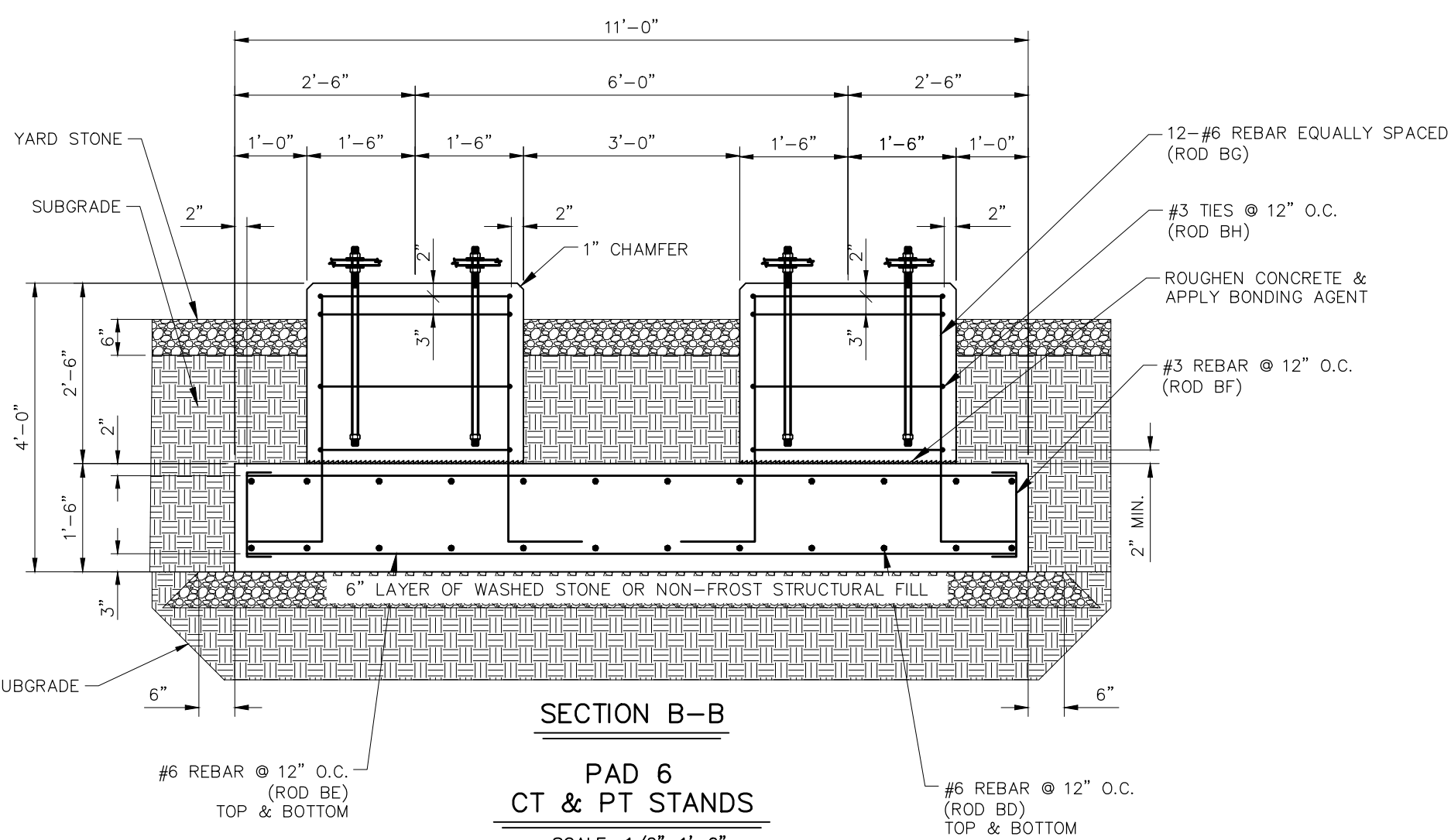
PAD 5A & 5B
115kV BREAKER
SCALE: 1/2"=1'-0"



PLAN

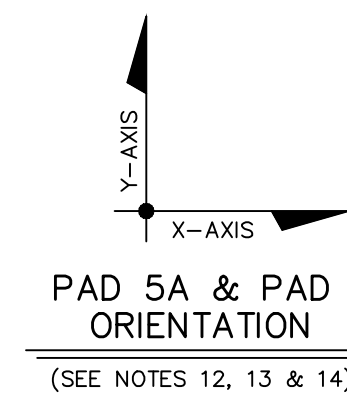


SECTION A-A

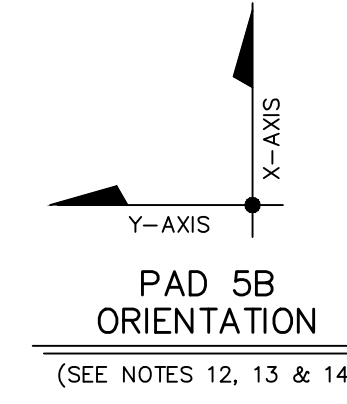


SECTION B-B

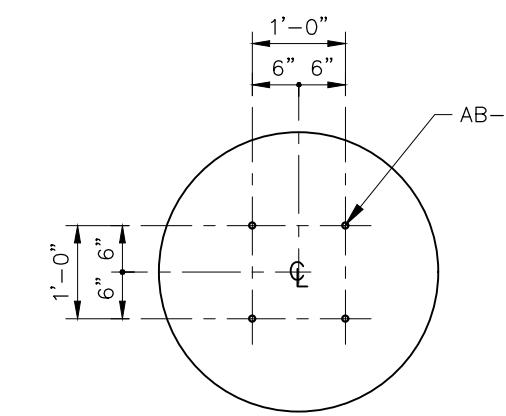
PAD 6
CT & PT STANDS
SCALE: 1/2"=1'-0"



PAD 5A & PAD 6
ORIENTATION
(SEE NOTES 12, 13 & 14)



PAD 5B
ORIENTATION
(SEE NOTES 12, 13 & 14)



AB PLAN G

(SEE NOTES 12, 13, 14, & 15)
SCALE: NONE

SCHEDULE FOR TYPICAL PAD DETAIL

PAD NO.	TOTAL REQ'D	PAD SIZE		ANCHOR BOLT PLAN	CU YDS CONCRETE
		LENGTH x WIDTH	DEPTH		
5A	1	6'-6" X 6'-0"	1'-6"	F	2.17
5B	1	6'-6" X 6'-0"	1'-6"	F	2.17
6	1	21'-0" X 11'-0"	4'-0"	G	16.73

BILL OF MATERIAL

ITEM	TOTAL QUANTITIES (THIS SHEET ONLY)	SUPPLIED BY:	DESCRIPTION	
			CONTRACTOR	REBAR
REBAR	2,637.96	CONTRACTOR	LBS. OF REBAR	
CONCRETE	21.07	CONTRACTOR	CUBIC YARDS OF CONCRETE	
AB-3	8	CONTRACTOR	#1" X 1'-0" ANCHOR BOLT W/(1)FW, (1)HHN	
AB-1	24	STEEL MANUFACTURER	#3/4" X 2'-0" ANCHOR BOLT W/(2)FW, (3)HHN	

PAD No. "5A & 5B"

ROD NO.	SIZE OF REBAR	NO. REQ'D PER FDN	LENGTH		WEIGHT - LBS.	
			DIM A	DIM B	TOTAL REBAR PER ROD	PER FDN
BA	#6	14	6'-2"	-	6'-2"	9.25
BB	#6	16	5'-8"	-	5'-8"	8.50
BC	#3	26	1'-1"	0'-4"	1'-9"	0.67

TOTAL WEIGHT OF REBAR PER FDN = 282.92
TIMES TOTAL No. OF FDN'S REQ'D = 282.92

PAD No. "6"

ROD NO.	SIZE OF REBAR	NO. REQ'D PER FDN	LENGTH		WEIGHT - LBS.	
			DIM A	DIM B	TOTAL REBAR PER ROD	PER FDN
BD	#6	24	20'-8"	-	20'-8"	31.01
BE	#6	44	10'-8"	-	10'-8"	16.01
BF	#3	64	1'-1"	0'-4"	1'-9"	0.67
BG	#6	72	3'-7"	1'-0"	4'-7"	6.87
BH	#3	24	8'-3"	1'-2"	9'-5"	3.58

TOTAL WEIGHT OF REBAR PER FDN = 2,072.12
TIMES TOTAL No. OF FDN'S REQ'D = 2,072.12

NOTES

- THE FOUNDATION CONTRACTOR SHALL AT ALL TIMES FULLY COMPLY WITH ALL OSHA STANDARDS AS WELL AS THE OWNER'S SAFETY STANDARDS, AS A MINIMUM, ESPECIALLY WITH REGARD TO SHORING OF ALL EXCAVATIONS. THE ENGINEER OR OWNER WILL IMMEDIATELY HALT CONSTRUCTION ACTIVITIES IF THE CONTRACTOR DOES NOT COMPLY WITH THESE STANDARDS. FAILURE TO COMPLY AT ALL TIMES WITH THESE STANDARDS WILL RESULT IN DISMISSAL FROM THE PROJECT.
- THE FOUNDATION CONTRACTOR IS RESPONSIBLE FOR OBTAINING COPIES OF OSHA STANDARDS AS WELL AS THE OWNER'S SAFETY STANDARDS. COPIES SHALL BE AVAILABLE ON SITE AT ALL TIMES DURING CONSTRUCTION.
- ALL FOUNDATIONS TO BE CARRIED TO FIRM UNDISTURBED EARTH OR COMPACTED FILL, WITH A MINIMUM BEARING CAPACITY OF 1,500 PSF, UNLESS OTHERWISE NOTED.
- WASHED STONE AND STRUCTURAL FILL SHALL BE COMPACTED AS SPECIFIED IN THE FOUNDATION SPECIFICATIONS.
- REINFORCING STEEL SHALL BE GRADE 60 ASTM A-615 OR A-617.
- FOR QUANTITY, LENGTH & SHAPE OF RODS SEE REBAR SUMMARY & BENDING LEGEND.
- CONCRETE SHALL BE 4500 P.S.I. @ 28 DAYS. CONCRETE SHALL BE AIR ENTRAINED WITH AN AIR CONTENT BETWEEN FIVE AND SEVEN PERCENT (5%-7%).
- CONCRETE SLUMP SHALL MEET REQUIREMENTS OF CONCRETE SPECIFICATIONS. THE CONTRACTOR SHALL MAKE OR HAVE MADE A MINIMUM OF ONE (1) SLUMP TEST IN ACCORDANCE WITH ASTM C 143 FOR EACH TRUCKLOAD OF CONCRETE DELIVERED.
- CONCRETE COVER OVER REINFORCING STEEL SHALL BE THREE INCHES (3") MINIMUM UNLESS OTHERWISE NOTED.
- ALL CONCRETE TO BE THOROUGHLY VIBRATED DURING PLACEMENT INTO FORMS TO ENSURE ALL VOIDS ARE FILLED.
- ALL FOUNDATIONS SHALL BE CHAMFERED ONE INCH (1") AROUND ALL TOP EDGES, UNLESS OTHERWISE SHOWN.
- TO DETERMINE ANCHOR BOLT SPACING, SEE ANCHOR BOLT PATTERN INDICATED, SEE FOUNDATION ANCHOR BOLT SUMMARY FOR DIAMETER, EMBEDMENT LENGTH, THREAD & HOOK REQUIREMENTS.
- CAREFUL EXAMINATION OF ANCHOR BOLT ORIENTATION MUST BE MADE IN THAT AN X-AXIS & Y-AXIS SYSTEM HAS BEEN INDICATED ON BOTH FOUNDATION PLAN & DETAIL DRAWINGS TO ENSURE PROPER ORIENTATION.
- ANCHOR BOLT SPACING & EQUIPMENT BASE PLATES SHALL BE VERIFIED TO BE CORRECT PRIOR TO POURING CONCRETE.
- AFTER FABRICATION ALL BOLTS ARE TO BE HOT DIP GALVANIZED A MINIMUM OF TWO INCHES (2") PAST NOTED THREAD LENGTH.
- SUBGRADE WILL BE TOPPED WITH THREE INCHES (3") OF CRUSHER RUN & THREE INCHES (3") OF WASHED STONE TO ACHIEVE FINAL SUBSTATION GRADE.
- SEE DRAWING FP2 FOR TOP OF FOUNDATION ELEVATIONS.
- CONTRACTOR IS RESPONSIBLE TO COORDINATE INSTALLATION OF ANY CONDUITS LOCATED UNDERNEATH OR PROTRUDING THROUGH FOUNDATIONS. SEE CONDUIT PLAN AND DETAILS FOR CONDUIT LOCATIONS.
- ALL CONDUITS, WHEN REQUIRED, ARE TO BE PLUGGED OR CAPPED DURING INITIAL CONSTRUCTION TO PREVENT CONTAMINATION.
- A CONCRETE BONDING AGENT CONFORMING TO ASTM C1059 SHALL BE APPLIED TO ALL ROUGHENED SURFACES PRIOR TO PLACING FRESH CONCRETE.
- THE CONTRACTOR SHALL PREPARE, OR HAVE PREPARED, IN ACCORDANCE WITH ASTM C-31, FIVE (5) TEST CYLINDERS FROM EACH TRUCKLOAD OF CONCRETE DELIVERED TO THE SITE. WITHIN 20-24 HOURS AFTER BEING PREPARED, THE CYLINDERS SHALL BE DELIVERED TO A QUALIFIED TESTING LABORATORY AND TESTED IN ACCORDANCE WITH THE CONCRETE SPECIFICATIONS AND ASTM C-39. TEST RESULTS ARE TO BE PROVIDED TO THE ENGINEER FOR EVALUATION AND DIRECTION OF CORRECTIVE ACTION IF NEEDED.
- THE CONTRACTOR SHALL MEET OR EXCEED ALL REQUIREMENTS OF THE CONCRETE SPECIFICATIONS.

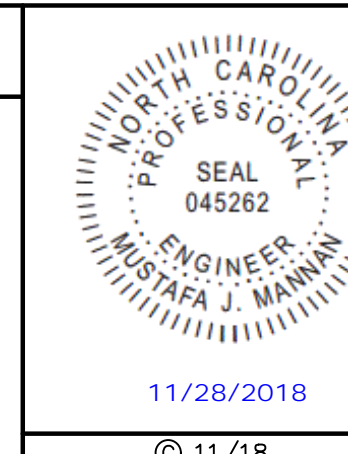
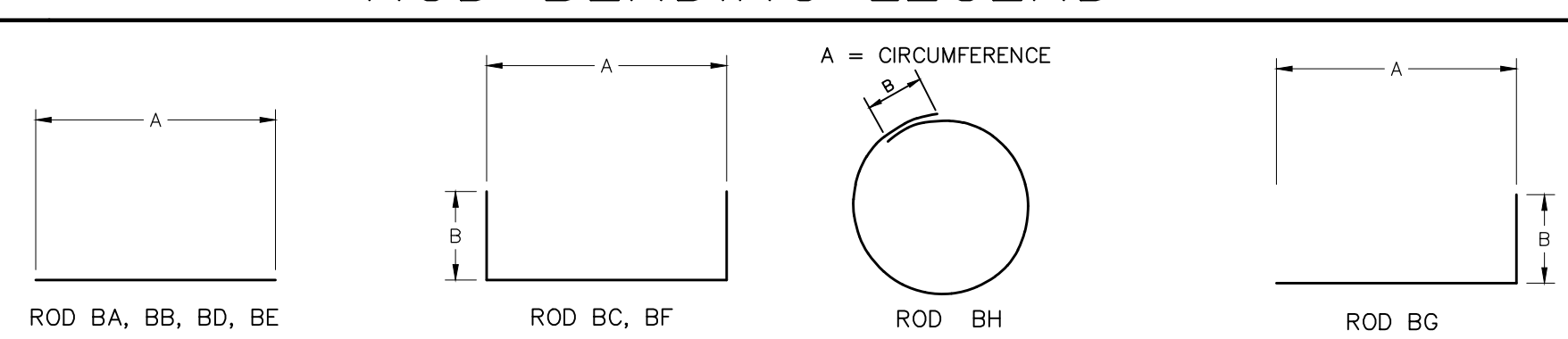
REFERENCES:

FOUNDATION PLAN 14020FP2

FOUNDATION ANCHOR BOLT SUMMARY

FDN. DESIGNATION	SERVICE	No. OF REQ'D. STRUCT.'S	No. OF FDN. REQ'D. PER STRUCT.	ITEM No.	QTY. FDN.	TOTAL QTY. REQ'D.	DIA.	ANCHOR BOLTS				WASHER QTY.-DESC.	NUT QTY.-DESC.	NOTES	
								LENGTH							
								EMBED.	THREAD MIN.	PROJECTION ABOVE PAD	HOOK				TOTAL
PAD 5A & 5B	115 kV BREAKER	2	1	AB-3	4	8	1"	0'-9"	4"	3"	-	1'-0"	1-FW	1-HHN	
PAD 6	CT & PT STANDS	1	1	AB-1	24	24	3/4"	1'-9"	5"	3"	-	2'-0"	2-FW	3-HHN	

ROD BENDING LEGEND (NOT TO SCALE)



GREENVILLE UTILITIES COMMISSION
GREENVILLE, NORTH CAROLINA

GREENVILLE WEST
230kV TO 115kV SUBSTATION
FOUNDATION DETAILS

Booth & Associates, LLC
11/28/2018

DWN. AG	DATE: 11/28/18	DWG. NO.
APPD. RSD	APPD. MJM	FD4
NO. REVISIONS	DATE	SCALE: AS NOTED

14020FD