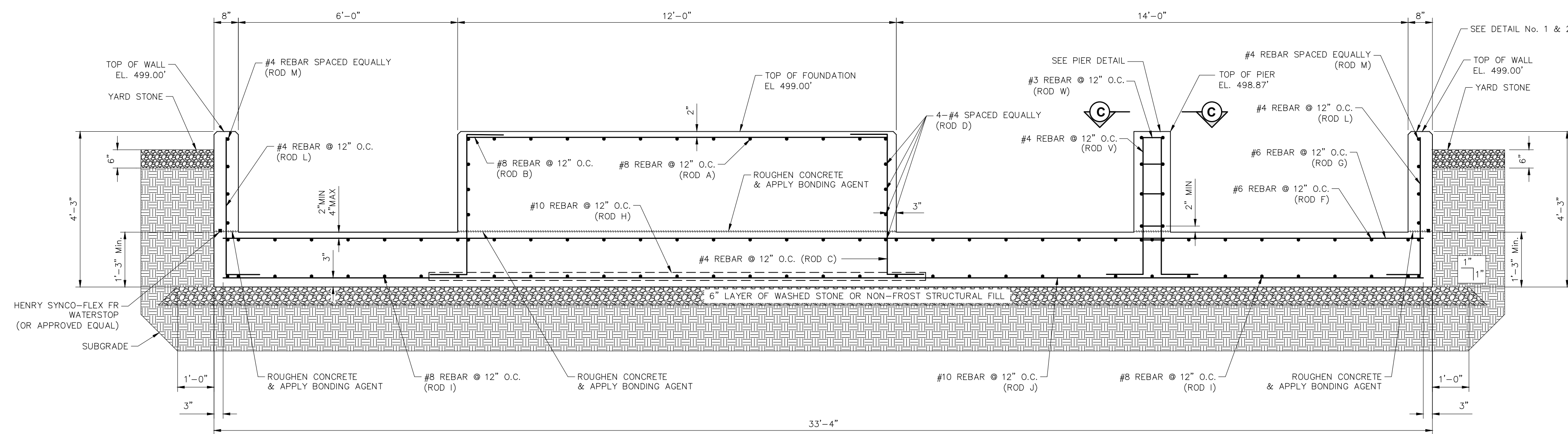
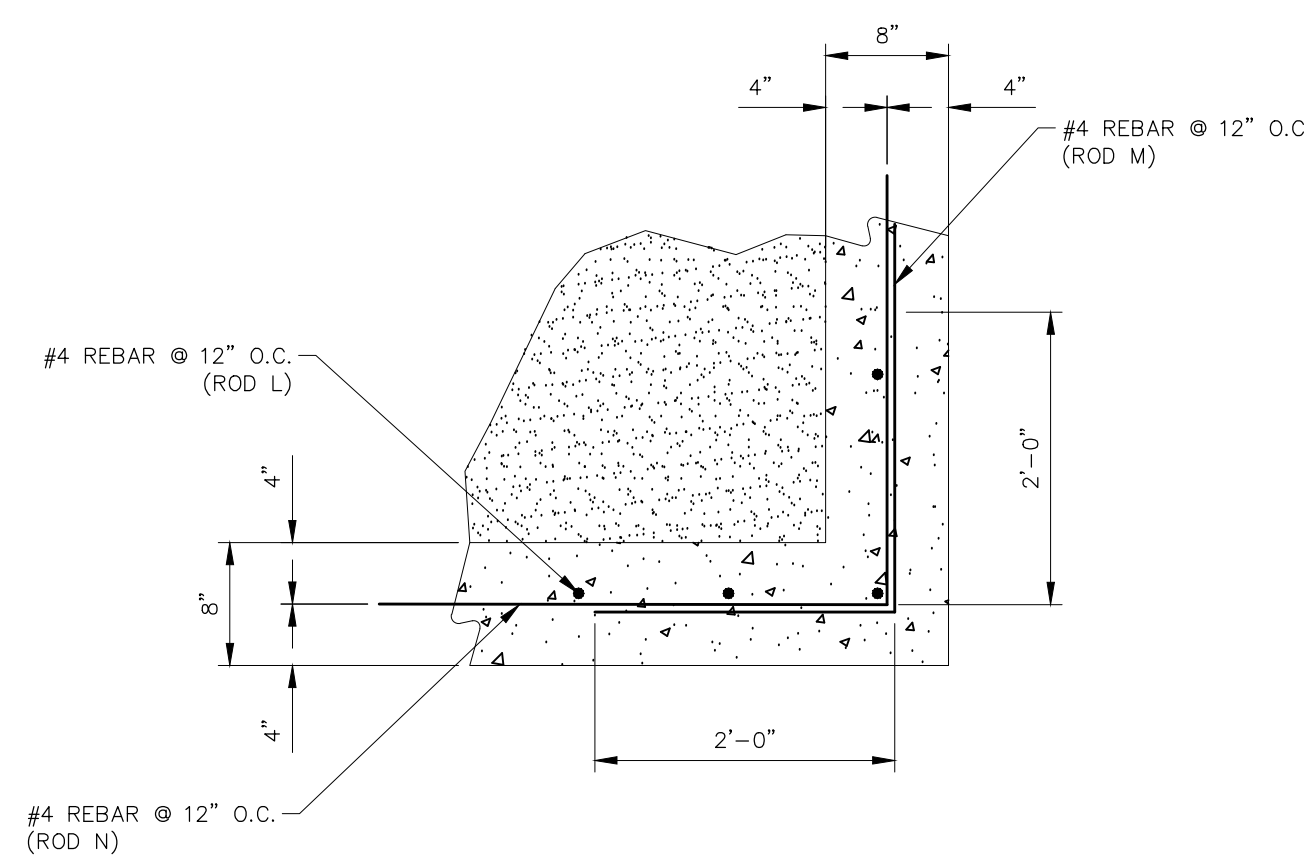


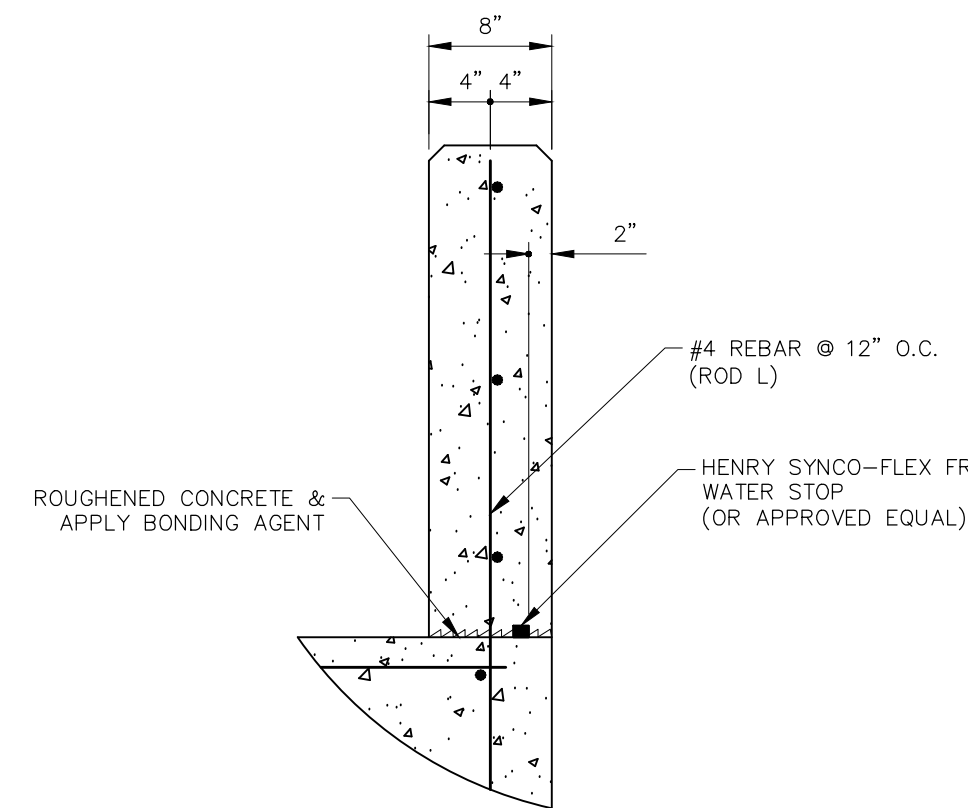
ELEVATION A-A
SCALE: 1/2" = 1'-0"



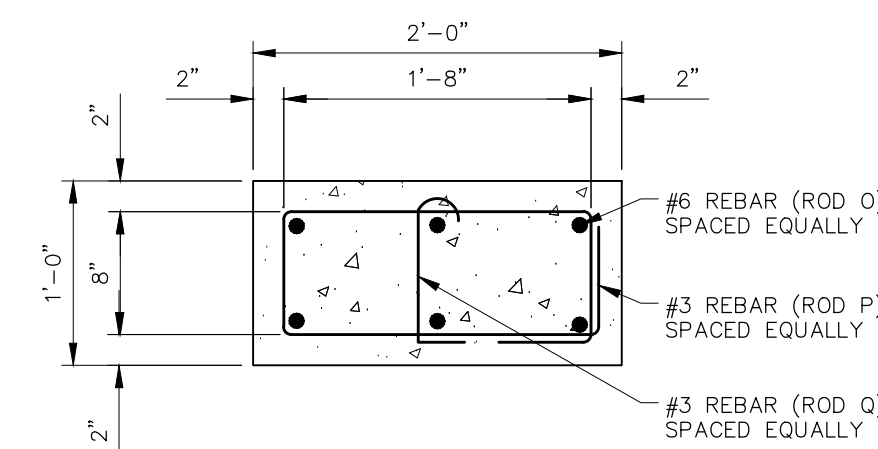
ELEVATION B-B
SCALE: 1/2" = 1'-0"



DETAIL No. 1
OIL CONTAINMENT CORNER
REINFORCEMENT DETAIL
(NOT TO SCALE)



DETAIL No. 2
OIL CONTAINMENT
WATERSTOP DETAIL
(NOT TO SCALE)

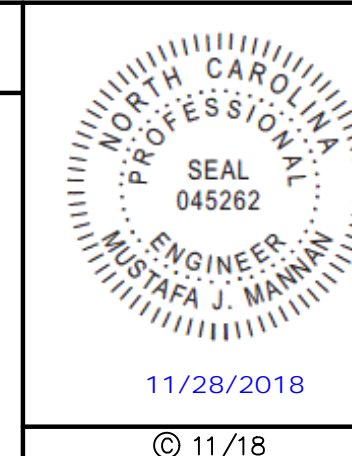
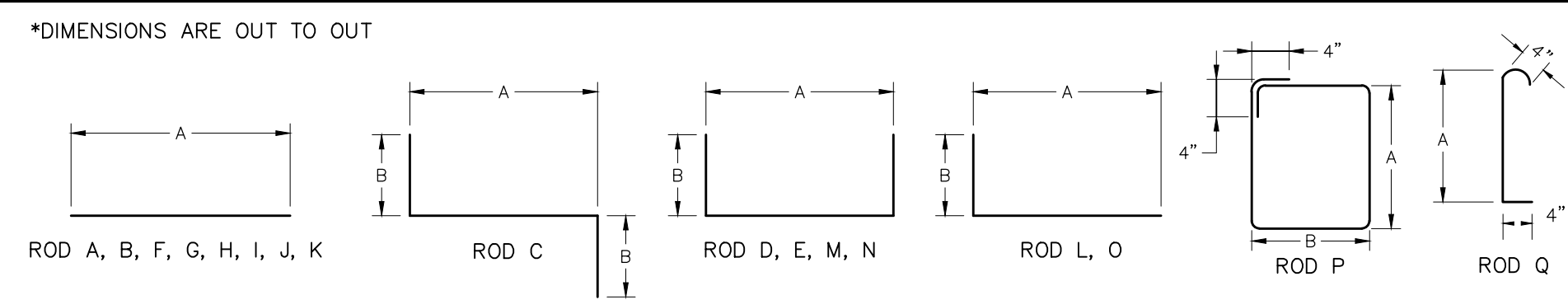


SECTION C-C
(NOT TO SCALE)

FOUNDATION ANCHOR BOLT SUMMARY

FDN. DESIGNATION	SERVICE	No. OF REQ'D. STRUCT.'s	No. OF FDN. REQ'D. PER STRUCT.	ANCHOR BOLTS										NOTES	
				ITEM No.	QTY./FDN.	TOTAL QTY. REQ'D.	DIA.	LENGTH				WASHER QTY.--DESC.	NUT QTY.--DESC.		
								EMBED	THREAD MIN.	PROJECTION ABOVE PAD	HOOK				TOTAL

ROD BENDING LEGEND (NOT TO SCALE)



GREENVILLE UTILITIES
GREENVILLE, NORTH CAROLINA

GREENVILLE WEST
230kV TO 115kV SUBSTATION
FOUNDATION DETAILS

Booth & Associates, LLC
Professional Engineers

DWN. AG	DATE: 11/28/18	DWG. NO.
0 ISSUED FOR BIDS	11/28/18	FD3
NO. REVISIONS	DATE	SCALE: AS NOTED
		14020FD