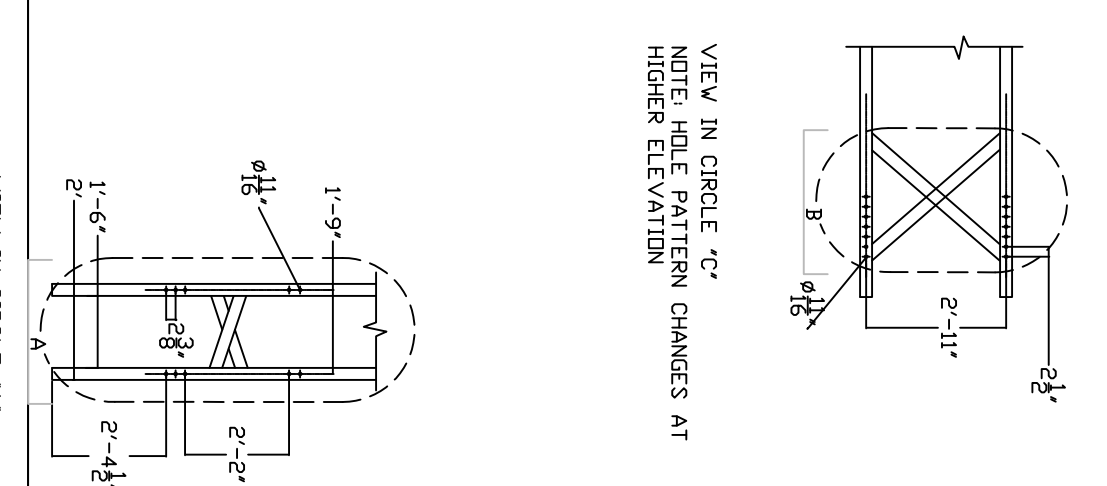
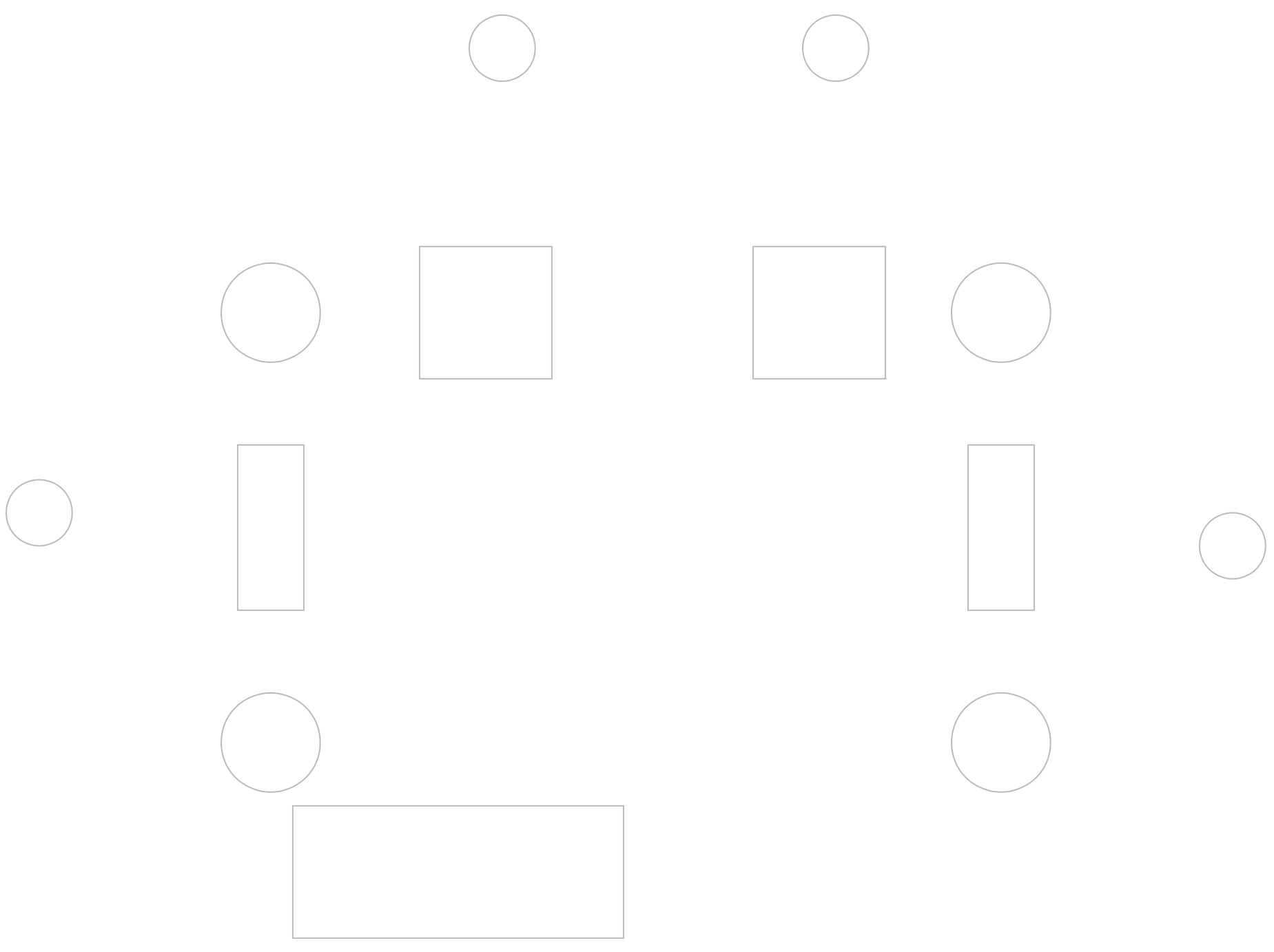


SECTION VIEW A-A



VIEW IN CIRCLE 'A'
NOTE: HOLE PATTERN CHANGES AT HIGHER ELEVATION


SECTION VIEW B-B



SITE VIEW

ADDITION

FOR CONSTRUCTION
 ENG: Williams DATE: 03-09-09

REVISIONS	#
FOR CONSTRUCTION ELW 03-09-09	1
 GREENVILLE UTILITIES Greenville, North Carolina STOKESTOWN SUBSTATION STRUCTURES AND EQUIPMENT SITE VIEW AND DETAILS	
DMN, ELW CDO, JTR SCALE: 1/4"=1'-0"	DATE: 03-09-09 APPD: JTR
DWG. NO. XXX-XXXX0-XX.DWG	